



*For questions or missing parts please contact your dealer.*



## User manual



EN

SAFETY INSTRUCTIONS 3 - 4










CHECKLIST 5

FUNCTIONS 6 - 7

INSTRUCTIONS 8 - 9

MAINTENANCE 10

PARTS LIST - MASSAGE HEAD 11

	NAME	FUNCTION		NAME	FUNCTION
	<b>SMALL BALL HEAD</b>	Large muscle areas.		<b>FLAT HEAD</b>	Whole body.
	<b>SCREW HEAD</b>	Join parts.		<b>RECOVERY MODE</b>	Heart Rate recovery status.
	<b>SPINAL HEAD</b>	For spine.		<b>BALL HEAD</b>	Body bones.
	<b>BIG BALL HEAD</b>	Large muscle areas.		<b>CONICAL</b>	Join parts.
	<b>GAS PLUG HEAD</b>	For the whole skeleton.			

*Safe and effective use can only be achieved if the device will be assembled and maintained well. It is your responsibility to ensure that the equipment is regularly maintained. Parts that are already used and / or damaged must be replaced before continuing using. The massage gun may only be used indoors and stored away, prolonged exposure to weathering and changes in temperature / humidity can have a serious impact on the electrical components and moving parts of the massage gun.*

### DAILY MAINTENANCE

- Wipe the surface of the device with a slightly damp towel and dry with a soft cloth.
- When storing or traveling for a long time, please turn off the battery and put it in the original box of the device.

### BATTERY

When the battery is low it needs to be charged for 2-4 hours to be fully charged. After being fully charged, it can be used continuously for 4-6 hours. When the battery is charging, the indicator light will be on, indicating that the charging is normal. It is forbidden to start the motor during charging.

**BATTERY: DC 24V, 2400mA.**

**WARNING:** *Before beginning any exercise program consult your physician. This is especially important for people who are over 35 years old or who have pre-existing health problems. Read all instructions before using any fitness equipment. Do not operate this exercise equipment without properly fitted guards, as the moving parts can present a risk of serious injury if exposed.*

### ATTENTION

**To reduce the risk of electric shock, fire and personal injury, this product must be used in accordance with the following instructions.**

- Only allowed for adults.
- This equipment can not directly massage the skin surface to avoid damage to the skin. The massage part should be worn after wearing dry and clean clothes or a clean and dry towel. It should be gently pressed and moved. The massage time of the same part can not be 60 seconds.
- In the case of no pain or discomfort, use high speed and pressure only on the soft tissue part of the body. It is not allowed to use high speed and high pressure on the head and any bone parts of the body.
- The area where the body is weak, the device should not be used without a doctor's approval.
- According to the massage needs of different parts, please choose the appropriate massage head.

- Frequent high speed. High pressure exerts pressure on the same part, causing abrasions, pain and inability to stop using immediately
- Keep your hair or any part of your body away from the telescopic rod of the device and the cooling holes on the back of the motor to prevent pinching.
- Do not put any objects into the cooling holes of the motor.
- Do not immerse the device in water. Do not allow water to enter the device from the motor cooling holes.
- Only use the charger provided by the original factory to charge.
- Please check the equipment and battery carefully before each use.
- Do not make any modifications to the equipment.
- Do not run the device and charge the device in an unattended state.

**NOTE!** Before starting with this or any other device, consult your doctor before use. This is very important for people with known health problems. Read all instructions before use. Warranty claim is excluded if the cause of the defect is the result of:

- Maintenance assembly and repair work not carried out by an official dealer.
- In the event of improper use, neglect and / or poor maintenance.
- Failure to maintain the fitness equipment in accordance with the manufacturer's instructions (see the enclosed manual).

- Press the motor start button 5 times, then the motor stops rotating. Press the motor to start the "1" position again and cycle in sequence.

### Acceleration indicator

- Gear indicator (the first blue light is on for the first gear, the pulse frequency is 1800 rpm).
- The second blue light is the second gear, the pulse frequency is 2200 rpm.
- The three blue lights are three. File, pulse frequency is 2800 rpm).
- Four blue lights are four, the pulse frequency is 3200 rpm).

**NOTE!** Turn off the battery switch after use.

## STEP 1

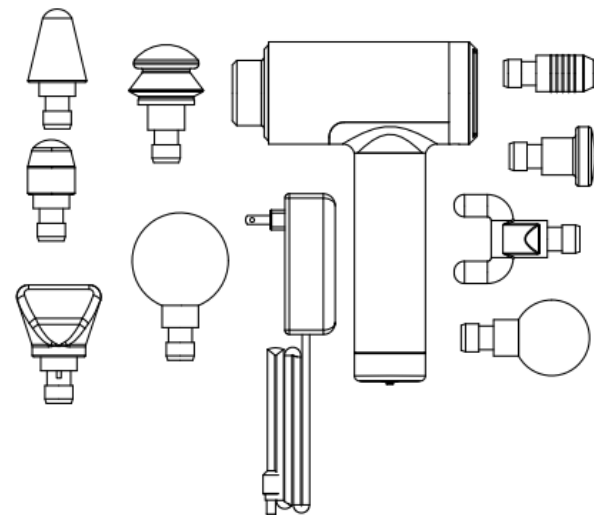
- The battery switch (4) is turned to the "ON" position. At this time, the power-on indicator lights up.
- The power-on battery indicator (6) lights up, the four green lights from top to bottom represent the strong to weak, and the green light is off. Need to charge.

## STEP 2

- According to the needs of different parts of the massage, choose the massage head to insert into the round hole in front of the massage gun.

## STEP 3

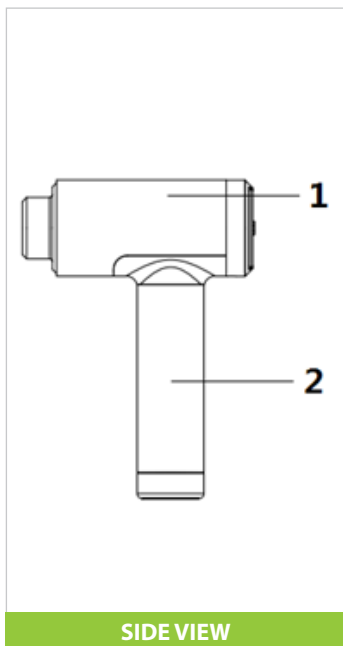
- Press the motor start button (3), the motor starts to rotate, the first blue light above the motor button lights up to represent the gear position "1".
- Press the motor start button again, 2 blue lights illuminate to represent the gear position "2".
- Three times Press the motor start button, 3 blue lights will light up to represent the gear position "3".
- Press the motor start button four times, 4 blue lights will light up to represent the gear position "4"



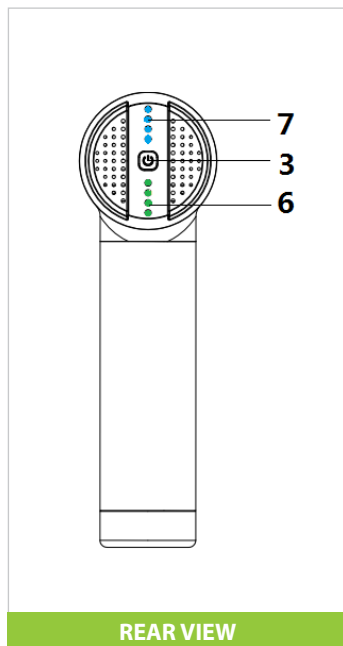
#	DESCRIPTION	QTY
1	Massage Gun	1
2	Massage Head	9
3	Battery	1
4	Power Adapter	1

## FUNCTIONS

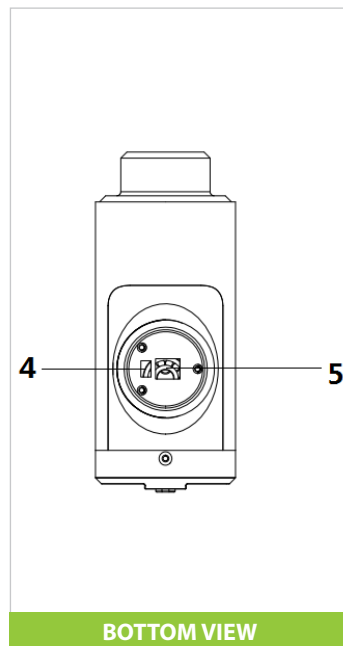
virtuFIT



SIDE VIEW



REAR VIEW



BOTTOM VIEW

## FUNCTIONS

virtuFIT

#	FUNCTION
1	High frequency, high mute, high speed motor.
2	Battery (DC 24V, 2400 mA).
3	Motor start and speed control button.
4	Battery switch.
5	Jack charging.
6	Battery indicator. The four green lights are on, the battery is fully charged, and the green light is turned off from top to bottom. Only when the red light is on, the battery is exhausted and needs to be charged.
7	<ul style="list-style-type: none"> <li>• Gear indicator (the first blue light is on for the first gear, the pulse frequency is 1800 rpm).</li> <li>• The second blue light is the second gear, the pulse frequency is 2200 rpm.</li> <li>• The three blue lights are three. File, pulse frequency is 2800 rpm).</li> <li>• The fourth blue lights are four, the pulse frequency is 3200 rpm).</li> </ul>