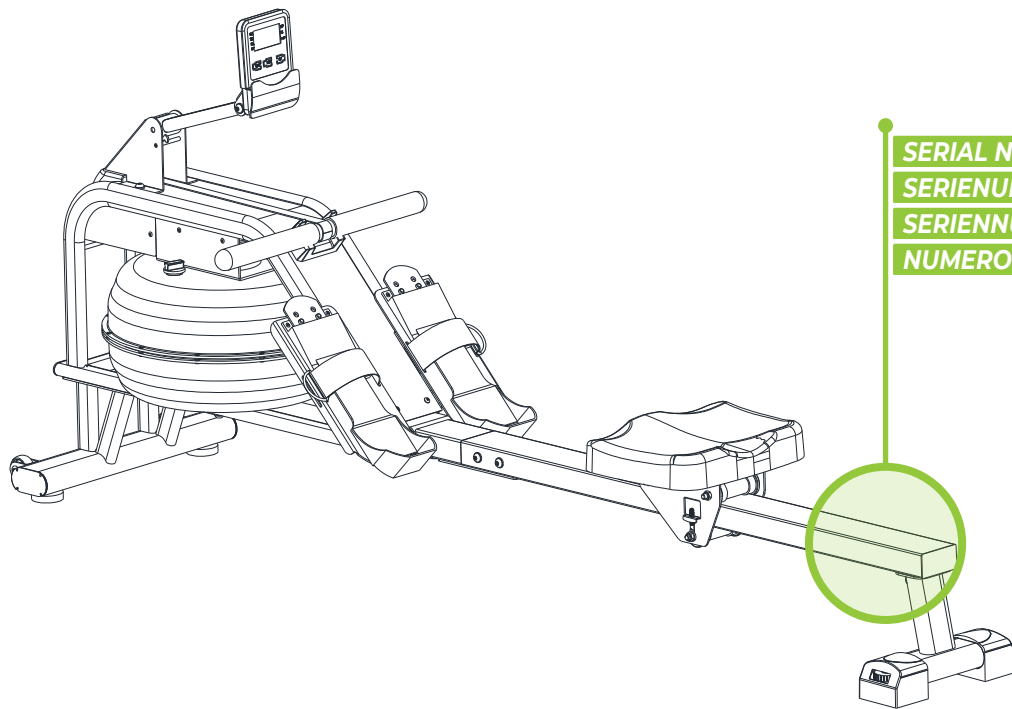


virtufit

Water Resistance Aqua 100i

VFWROWA100i



SERIAL NUMBER
SERIENUMMER
SERIENNUMMER
NUMERO DE SERIE

USER MANUAL

HOW TO
RECYCLE



ASSEMBLY
VIDEO

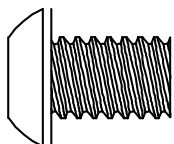


Instagram icon @virtufit_fitness

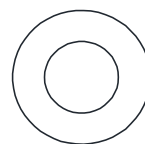
YouTube icon VirtuFit

Globe icon www.virtufit.com

TOOLKIT



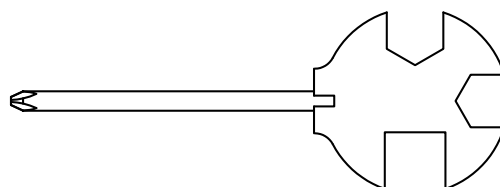
60



71



74

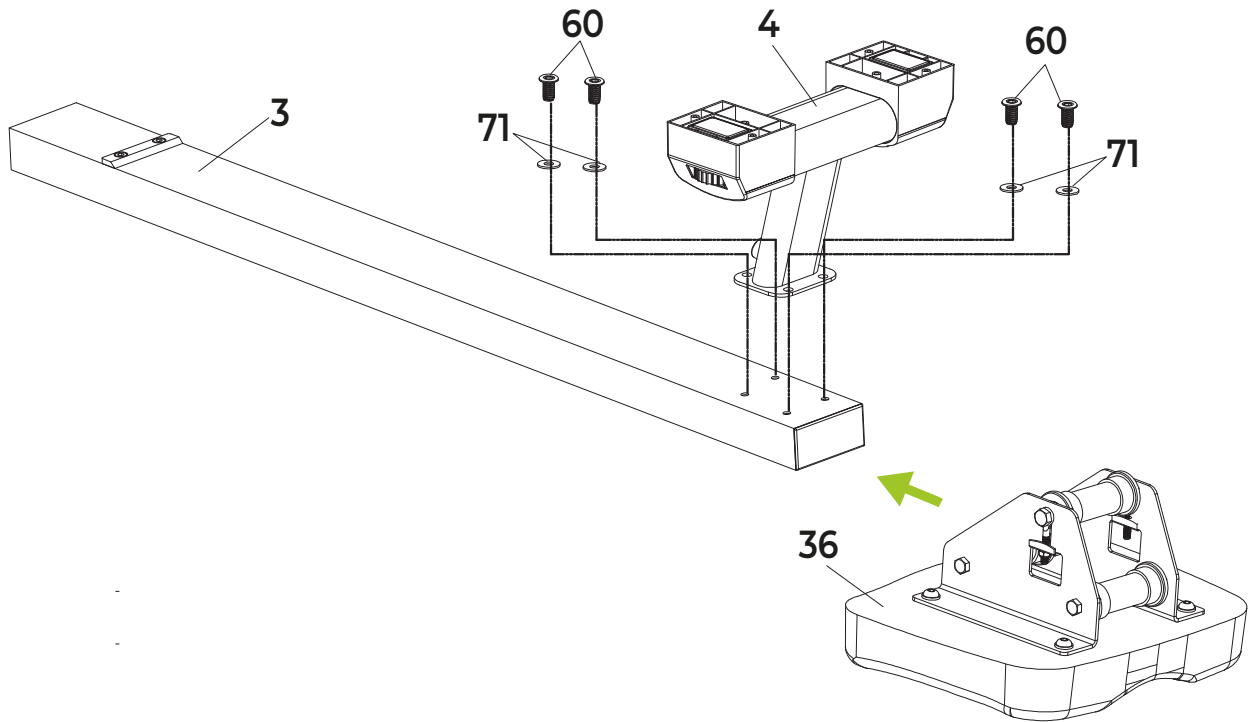


75

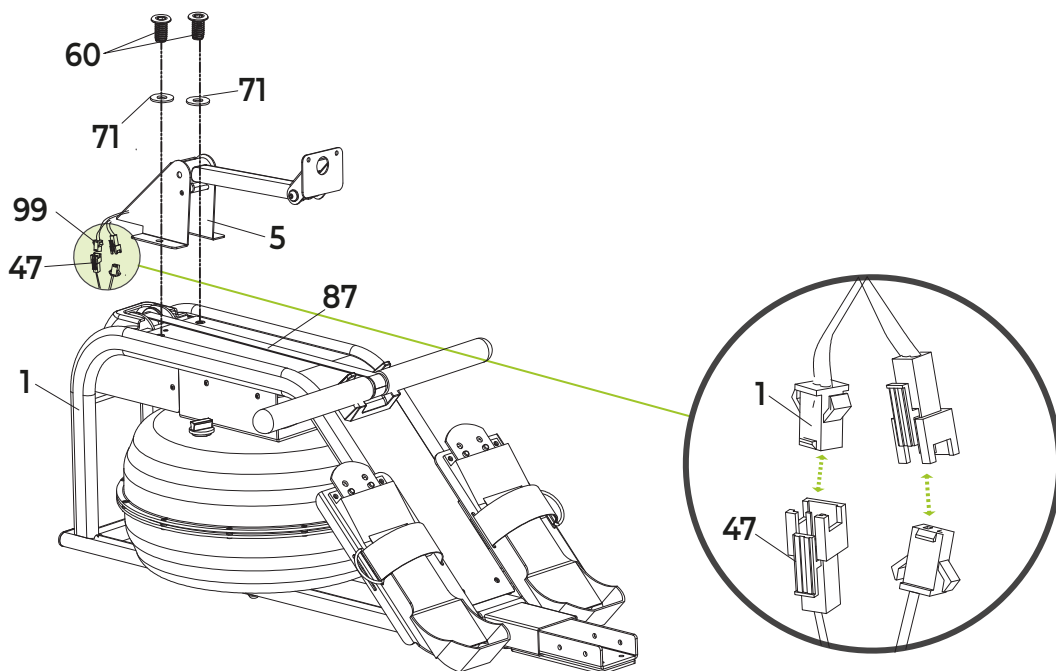
#	DESCRIPTION	QTY
58	Screw M8*15	4
60	Screw M8*15	10
96	Screw M8*15	4

#	DESCRIPTION	QTY
71	Washer OD16*ID8*1.5	14
74	Allen Wrench S5	1
75	Spanner S13-15	1

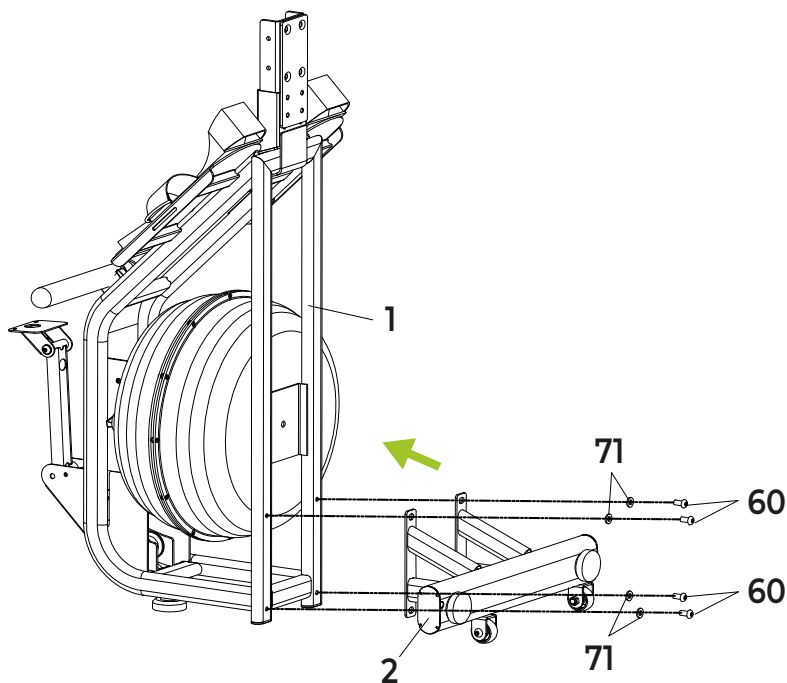
STEP 01



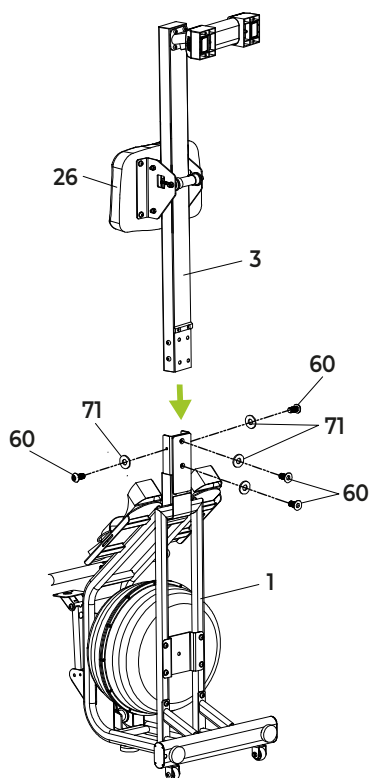
STEP 02



STEP 03



STEP 04



STEP 05

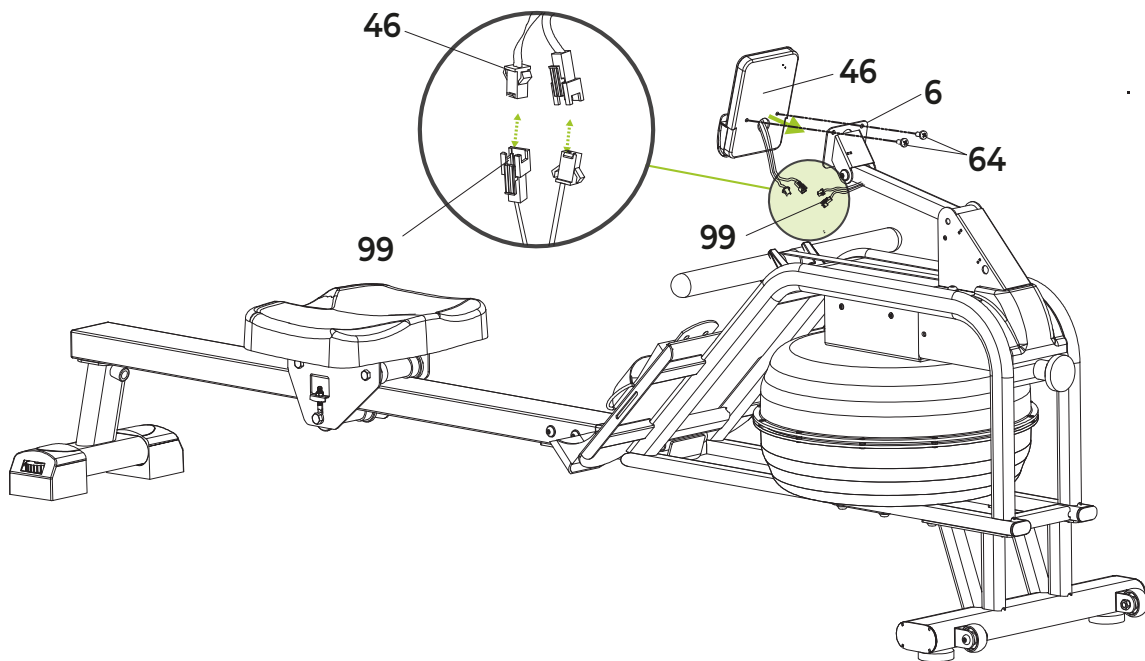


FIG. A

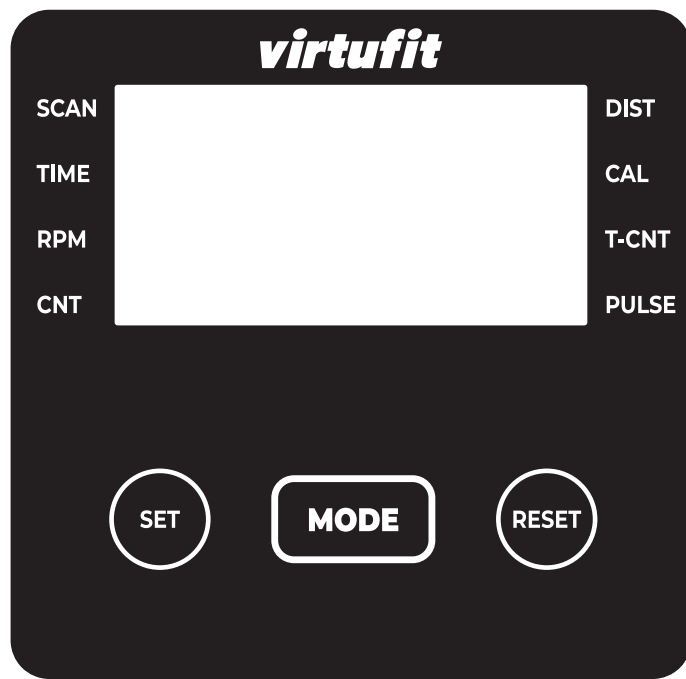
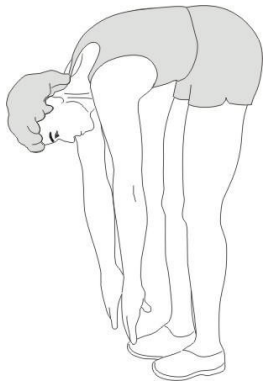


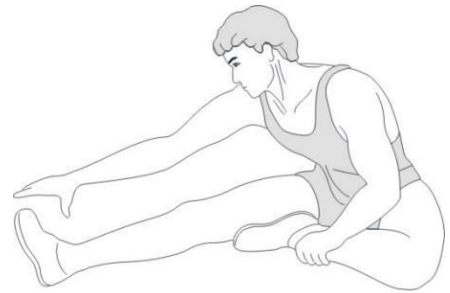
FIG. B



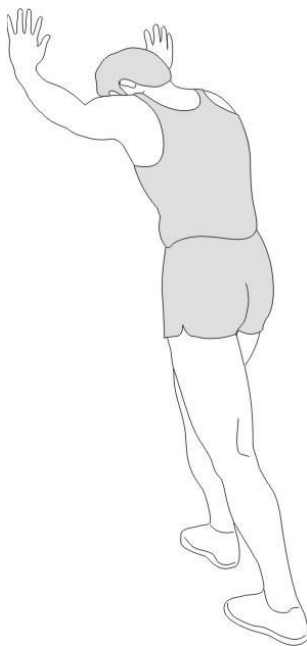
1



2



3



4



5

INDEX

Safety instructions	08
Guarantee	08
Assembly instructions	08
Adjusting	09
Moving and storage	09
Filling and emptying the water tank	09
Training with heart rate	10
Training with fitness apps	10
Maintenance	11
Console	11
Training guidelines	12

SAFETY INSTRUCTIONS

WARNING

Consult your doctor before you start exercising. This is particularly important for people with health problems. Please read all instructions before using the machine. VirtuFit assumes no responsibility for injury or property damage resulting from the use of this equipment. Please read this manual carefully before assembling and/or using the machine.

- Make sure that the machine is properly assembled and that all nuts and bolts are tight before using it.
- Lubricate all moving parts annually with petroleum jelly (acid-free) or silicone spray.
- Do not wear loose clothing to avoid getting caught in moving parts.
- Install and use the unit on a solid, level surface.
- Always wear clean sports shoes when using the appliance.
- Keep children and pets away from the appliance when in use.
- Maintain your balance when using the device.
- Do not place your fingers or other objects in the moving parts.
- Before exercising, consult your physician to determine the appropriate frequency, duration and intensity of exercise for your age and physical condition. Stop exercising immediately if you experience nausea, shortness of breath, fainting, headache, chest pain, tightness or any other discomfort.

- Do not hold the machine by the seat when moving.
- This machine should only be used by one person at a time.
- This machine is designed for domestic use and the maximum user weight is 120 kg.
- Leave 1-2 metres of space behind the machine to avoid accidents.
- Place the machine on a clean, flat surface. Do not place it on a thick carpet, as this may hinder the ventilation of the machine. Do not place the machine outdoors or near water.
- Keep the storage area dry, clean and level to prevent damage. Do not use the device for any purpose other than training.
- Use the device only in an environment where the ambient temperature is between 10°C and 35°C. Store the device only in an environment where the temperature is between 5°C and 45°C.

GUARANTEE

Warranty claims are excluded if the cause of the defect is the result of:

- Maintenance and repair work not carried out by an official dealer.
- Improper use, negligence and/or poor maintenance.
- Failure to maintain the appliance in accordance with the manufacturer's instructions.

ASSEMBLY INSTRUCTIONS (STEP 01-05)

Missing parts: If any parts are missing from the packaging, carefully check the polystyrene foam and the appliance itself. Some parts (bolts, screws, etc.) are already attached to the unit.

Error message: Make sure that all cables are carefully attached. The aluminium feet of the console are very sensitive and must be kept straight. If the console gives an error message after the machine has been mounted, the aluminium feet of the console may be bent. Straightening the aluminium feet may make the error message disappear.

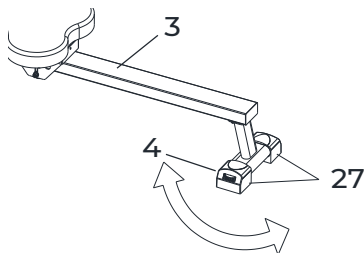
Hex head bolts: Make sure that the hex head spanner is pushed into the bolt before applying force. This will prevent the head of the socket bolt from turning.

ADJUSTING

Level

Adjust the adjustable end caps (27) at the rear of the rear stabiliser (4) by turning the wheel.

NOTE! Fingers can be trapped between moving parts, such as the seat. Keep hands away from the rails (3) when adjusting and using the unit.



Adjusting the pedal

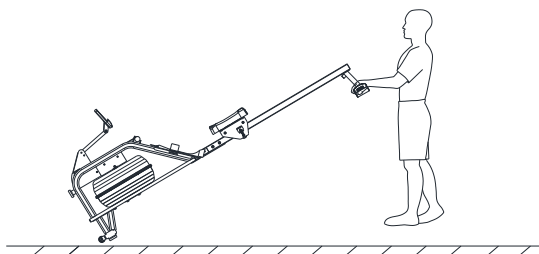
The pedal strap is adjustable and can be adjusted to the size of the user's foot.

MOVING AND STORAGE

NOTE! Slide the seat to the front of the rails, otherwise the seat will slide when the unit is in the upright position.

Moving

Raise the rear stabiliser (4) until the front stabiliser wheels touch the ground. With the wheels on the ground, the machine can easily be moved to the desired location.



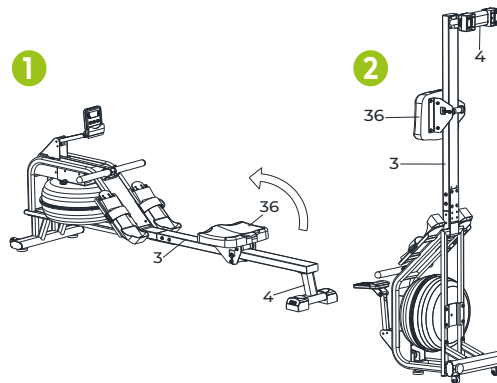
NOTE! The seat slides when the machine is in the upright position.

Storage

CAUTION! Store the tool in a dry place, out of the reach of children.

Make sure that the tool is stable and safe so that it cannot fall on children or animals.

Move the unit to the desired location and lift the rear stabilizer (4) fully up until the rowing machine is vertical.

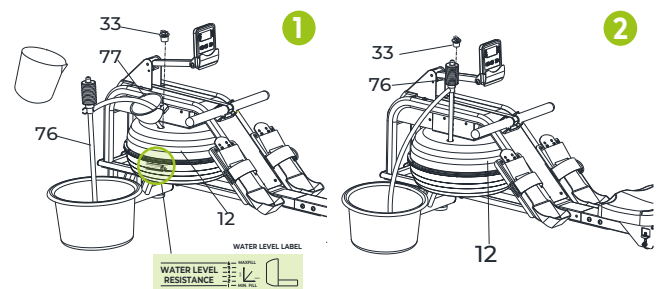


NOTE! If the rower is not used for more than one month, empty the water tank first.

FILLING AND EMPTYING THE WATER TANK

CAUTION!

- Always fill the tank with tap water only and add a water purification tablet. Never use chlorinated water or chlorine. This can damage the tank and void the warranty.
- Add a water purification tablet once every six months. If the water remains cloudy, replace the water in the tank.
- The water in the tank is not consumable. Discard the water after it has been pumped out of the tank.



Fill the water tank (1)

- Remove the water tank cap (33) from the top water tank (12) opening. The water tank can be filled in two ways.
- **Manual water pump (76):** Insert the hose end of the manual water pump (76) into the bucket filled with water and insert the other end of the hose into the water tank opening. Press the

hand water pump (76) to fill the water tank.

- **Funnel (77):** Insert the funnel (77) into the opening of the water tank and pour a bucket full of water through the funnel into the water tank.
- Look at the side of the water tank to see what the water level is in the tank.
- Replace the water tank closing cap (33) on the opening of the water tank (12), so that it is properly closed.

NOTE!

- *You can read the water level on the side of the tank (FIG. A). Fill to maximum level 6. The warranty will be voided if the water tank is filled above level 6.*
- *The resistance depends on the water level in the tank. Level 1 is the lowest resistance and level 6 is the highest resistance.*

Emptying the water tank (2)

- Remove the water tank cap (33) from the top water tank (12) opening.
- Place an empty bucket next to the water tank and insert the end of the manual water pump hose (76) into the empty bucket. Insert the other end of the hose into the opening of the water tank (12). Squeeze the hand water pump (76) to empty the water tank.
- When the water tank is empty, dry it with a cloth.
- Replace the water tank closing cap (33) on the opening of the water tank (12), so that it is properly closed.

TRAINING WITH HEART RATE

Wireless heart rate receiver (5 kHz and Bluetooth)

This VirtuFit fitness equipment is equipped with a wireless heart rate receiver. For the heart rate measurement with a wireless heart rate monitor, use a heart rate monitor that works on Bluetooth and / or a 5 kHz frequency. With a wireless heart rate monitor, it is important that the electrodes are slightly moist and the heart rate monitor fits well on your body. Refer to your heart rate monitor's user manual for proper instructions. Incorrect use of the heart rate monitor may result in abnormal readings.

NOTE! *A wireless heart rate monitor is not included as standard. Contact your dealer to purchase a wireless heart rate monitor.*

⚠ WARNING!

- *If you have a pacemaker, it is recommended that you consult*

your physician before using a wireless heart rate monitor.

- *In rooms with multiple heart rate monitors, it is recommended that you keep enough distance to avoid interference between different devices.*
- *Always try to keep the wireless heart rate monitor within a range of 1 meter from the console for optimal reception.*
- *Always wear a wireless heart rate monitor directly on the body, under clothing.*

TRAINING WITH FITNESS APPLICATIONS

VirtuFit does not provide service for third party fitness applications such as Kinomap, iConsole, FitShow etc. If you encounter problems with a third party fitness application, please contact the developer of the application in question.

Instruction

- To scan the QR code with an Android or IOS phone or tablet, a QR code scanner is required. The app for scanning QR codes can be downloaded from the App Store or Google Play Store.
- Scan one of the QR codes below to go directly to the App Store or Google Play Store page where the fitness app can be downloaded.
- Scan the QR code on the right to access the fitness app manual. The manual describes step by step how to connect the fitness app to the device, how the fitness app works and what its capabilities are.

Fitshow



APP STORE



GOOGLE PLAY



MANUAL

Kinomap



APP STORE

GOOGLE PLAY

MANUAL

MAINTENANCE

Safe and efficient use can only be achieved if the appliance is properly installed and maintained. It is your responsibility to ensure that the appliance is maintained regularly. Parts that have been used and/or damaged must be replaced before the appliance is used again. The appliance should only be used and stored indoors. Long-term exposure to weather and temperature/humidity changes can have a serious impact on the electrical components and moving parts of the unit. Always unplug the power cord from the unit before cleaning or servicing it.

Daily maintenance

- Clean and remove sweat and moisture after each use.
- Check that the unit is free of dust and dirt.
- Do not use aggressive cleaning agents and keep the device away from moisture.

Semi-annual maintenance

- Clean and remove sweat and moisture after each use.
- Check that the unit is free of dust and dirt.
- Do not use aggressive cleaning agents and keep the device away from moisture.

CAUTION!

- *All repairs must be performed by a professional technician, unless otherwise specified by the supplier or manufacturer.*

Cleaning

General cleaning of the machine will prolong its life. Keep the machine clean by dusting it regularly. Regular maintenance extends the life of your machine and prevents accidents! For more information, please visit <https://www.virtufit.nl/service/faq/>

CAUTION! *Wear clean shoes to reduce the risk of soiling the machine.*

Battery

AAA BATTERIES

The display uses AAA batteries, which are replaceable on the back of

the display. The batteries must be inserted correctly.

If the screen is unreadable or only parts of the image work, proceed as follows:

- Remove the batteries and wait 15 seconds.
- Replace the batteries correctly.

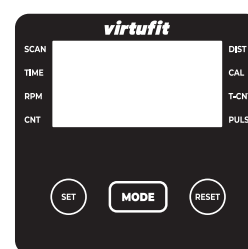
Tips on using the battery

- Remove the batteries from the screen when they are empty or when the camera will not be used for a long period of time.
- Do not recharge, disassemble or dispose of batteries in fire.
- Pay close attention to the + and - when inserting the batteries. When replacing batteries, it is recommended to replace all batteries, do not mix old and new batteries.
- It is recommended to use alkaline batteries, they have a longer life than normal batteries.
- Batteries should be replaced when the display loses brightness or stops showing.

Battery replacement

- If the display is not accurate, it is recommended to replace the batteries.
- Use 2 x AAA batteries for power.

CONSOLE (FIG. A)



- **MODE** Confirming setting and/or changing display
- **SET** Setting TIME, COUNT, CAL.
- **RESET** Press and hold for 3 seconds to reset settings.

Functions

- **SCAN** Press "MODE" until "SCAN" is displayed. The console will alternate between the 7 functions: TIME, DISTANCE, CALORIE, COUNT, TOTAL COUNT, RPM, PULSE. Each functions will be hold for 6 seconds.
- **TIME** The total training time from the beginning to the end of training will be displayed. Press "MODE" until "TIME" appears to set a training time.
- **RPM** Number of strokes per minute, indicating the stroke speed

during exercise.

- **COUNT** The number of beats during exercise is displayed. Press "MODE" until "COUNT" is displayed to set a target.
- **TOTAL COUNT** Total stroke count from beginning to end of workout will be displayed.
- **DISTANCE** Total distance from start to finish of workout is displayed.
- **CALORIES** Total calories consumed from the beginning to the end of workout is displayed. Press "MODE" until "CAL" is displayed to set a calorie target.
- **PULSE** Current heart rate is displayed if detected during exercise.

NOTE!

- *If there is no movement for more than 4 minutes, the console will automatically shut down.*
- *When paired with an app, the console does not go into sleep mode automatically.*

TRAINING GUIDELINES (FIG. B, 1-5)

A successful training program includes a warm-up, the actual training and a cool-down. Perform the complete training program at least twice, but preferably three times a week and keep a rest day between training sessions. After a few months, the intensity of the training can be increased, for example to four or five times a week.

The warm-up

The purpose of a warm-up is to prepare the body for training and to reduce the risk of injury. Warm up your body for two to five minutes before starting a cardio or strength training session. Do exercises that increase the heart rate and warm up the working muscles. Examples of this type of activity are running, jogging, jumping jacks, skipping and running in place.

Stretching

Stretching while the muscles are warm is very important after a good warm-up and cool-down. It reduces the risk of injury. Stretching exercises should be held for 15-30 seconds. Here are some examples of stretching exercises:

- Toe touch (Fig. B-1)
- Inner thigh stretch (Fig. B-2)
- Hamstring stretch (Fig. B-3)
- Achilles stretch (Fig. B-4)
- Side stretch (Fig. B-5)

Cooling down

The purpose of the cool-down is to return the body to its (near) normal resting position at the end of the workout. A good cool-down slowly reduces your heart rate and promotes recovery.

INHOUD

Veiligheidsinstructies	13
Garantie	13
Montage instructies	13
Afstellen	14
Verplaatsen en opbergen	14
Watertank vullen en legen	14
Trainen met hartslag	15
Trainen met fitness apps	15
Onderhoud	16
Console	17
Trainingsrichtlijnen	17

VEILIGHEIDSINSTRUCTIES

WAARSCHUWING

Raadpleeg uw arts voordat u begint met trainen. Dit is in het bijzonder belangrijk voor personen met gezondheidsproblemen. Lees alle instructies alvorens het toestel gebruikt wordt. VirtuFit neemt geen verantwoordelijkheid voor geleden letsel of materiële schade door het gebruik van dit toestel. Lees deze handleiding zorgvuldig door, voordat u begint met monteren van het toestel en/of er gebruik van gaat maken.

- Zorg ervoor dat het toestel voor gebruik correct is gemonteerd en alle bouten en moeren zorgvuldig zijn vastgedraaid.
- Smeer alle bewegende delen jaarlijks in met vaseline (zonder zuren) of siliconenspray.
- Draag geen loszittende kleding om te voorkomen dat deze in bewegende delen verstrikt raakt.
- Stel het toestel op en gebruik deze op een stevige, effen ondergrond.
- Draag altijd schone sportschoenen bij gebruik van het toestel.
- Houd kinderen en huisdieren uit de buurt van het toestel, terwijl deze in gebruik is.
- Zorg dat u evenwicht behoudt tijdens gebruik van het toestel.
- Plaats geen vingers of andere voorwerpen in de bewegende

delen.

- Raadpleeg voorafgaand aan een training uw arts om de trainingsfrequentie, tijd en intensiteit vast te stellen die geschikt is voor uw leeftijd en conditie. Stop onmiddellijk met trainen in geval van misselijkheid, kortademigheid, flauwvallen, hoofdpijn, pijn, benauwdheid in de borst of enig ander ongemak.
- Houd het toestel niet vast aan de zitting bij het verplaatsen.
- Dit toestel dient door slechts één persoon tegelijk te worden gebruikt.
- Dit toestel is gemaakt voor thuisgebruik en het maximaal gebruikersgewicht bedraagt 120 kg.
- Houd 1 á 2 meter ruimte vrij achter het toestel om eventuele ongelukken te voorkomen.
- Plaats het toestel op een schone en vlakke ondergrond. Plaats het toestel niet op dik tapijt waardoor het ventilatie kan belemmeren. Plaats het toestel niet buiten of in de buurt van water.
- Het toestel is voor binnengebruik en niet voor buitengebruik. Houd de opslagplek droog, schoon en vlak om schade te voorkomen. Het is verboden om het toestel voor andere doeleinden te gebruiken dan voor de trainingen.
- Gebruik het toestel alleen in een omgeving met een omgevingstemperatuur tussen 10 °C en 35 °C. Berg het toestel alleen op bij een omgevingstemperatuur tussen 5 °C en 45 °C.

GARANTIE

Aanspraak op garantie is uitgesloten indien de oorzaak van het defect het gevolg is van:

- Onderhoudsmontage en reparatiewerkzaamheden die niet door een officiële dealer zijn uitgevoerd.
- Bij ondeugdelijk gebruik, verwaarlozing en/of gebrek aan onderhoud.
- Het niet volgens de fabrieksvoorschriften onderhouden van het toestel.

MONTAGE INSTRUCTIES (STEP 01-05)

Missende onderdelen: Indien bepaalde onderdelen missen in de verpakking, controleer dan zorgvuldig het piepschuim en het toestel zelf. Sommige onderdelen (bouten, schroeven, etc.) zitten al bevestigd aan/in het toestel.

Foutmelding: Let er op dat alle kabels voorzichtig worden bevestigd. De aluminium pootjes van het console zijn zeer gevoelig en deze dienen recht te blijven. Mocht het console een foutmelding geven na de montage van het toestel dan kan het zijn dat de aluminium pootjes van het console schuin staan. Buig de aluminium pootjes weer recht, dit laat de foutmelding mogelijk verdwijnen.

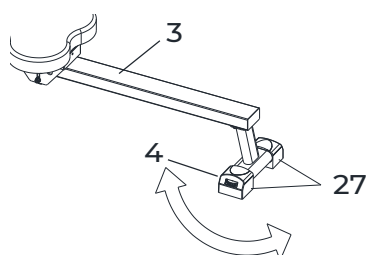
Inbusbouten: Zorg ervoor dat de inbusleutel goed in de bout zit voordat er kracht op de sleutel wordt gezet. Op deze manier wordt voorkomen dat de kop van de inbusbout wordt dolgedraaid.

AFSTELLEN

Waterpas

Stel de verstelbare eindkappen (27) aan de achterkant bij de achterste stabilisator (4) af door aan het wieltje te draaien.

LET OP! Vingers kunnen bekneld raken tussen bewegende delen, zoals de zitting. Houd handen uit de buurt van de rails (3) tijdens het afstellen en gebruik van het toestel.



Pedaal afstellen

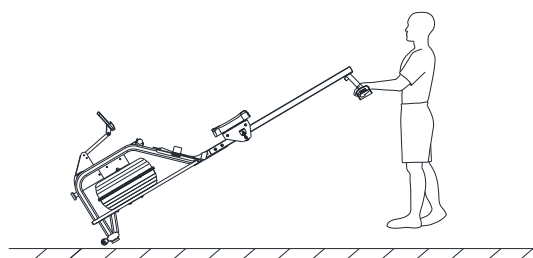
De pedaalriem is verstelbaar en kan worden aangepast aan de voetmaat van de gebruiker.

VERPLAATSEN EN OPBERGEN

LET OP! Schuif de zitting naar de voorkant van de rails, anders zal de zitting wegglijden wanneer het toestel rechtop staat.

Verplaatsen

Til de achterste stabilisator (4) op totdat de transportwielen bij de voorste stabilisator de grond raken. Met de wielen op de grond kan het toestel gemakkelijk naar de gewenste plaats worden verplaatst.

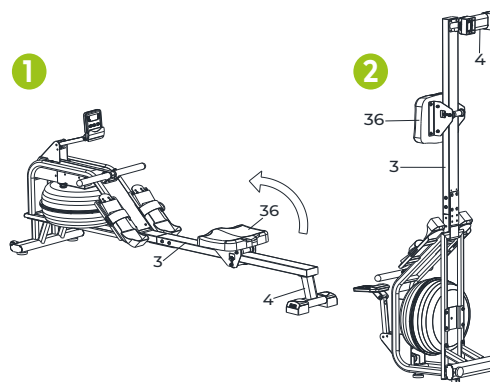


LET OP! De zitting zal wegglijden als de machine rechtop staat.

Opbergen

LET OP! Berg het toestel op in een droge ruimte en uit de buurt van kinderen. Zorg ervoor dat het toestel stabiel en veilig staat, zodat het toestel niet kan omvallen op kinderen of dieren.

Verplaats het toestel naar de gewenste plaats en til de achterste stabilisator (4) volledig omhoog totdat de roeitrainer verticaal staat.



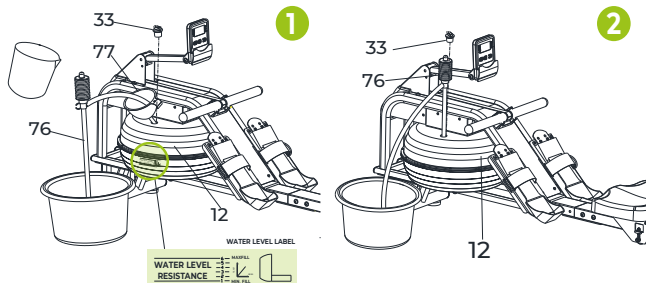
LET OP! Leeg eerst de watertank wanneer de roeitrainer langer dan een maand niet wordt gebruikt.

WATERTANK VULLEN EN LEGEN

LET OP!

- Vul de watertank alleen met kraanwater en voeg 1 waterzuiveringstablet toe. Gebruik nooit chloorwater of chloor. Dit kan de tank beschadigen en dan vervalt de garantie.
- Voeg één keer in de zes maanden een waterzuiveringstablet toe. Als het water troebel blijft, vervang het water in de tank.

- **Water uit de tank is niet geschikt voor consumptie. Gooi het water weg, nadat het uit de tank is gepompt.**



Watertank vullen (1)

- Haal het sluitdopje (33) uit de opening van het bovenste waterreservoir (12). De watertank kan op twee manieren worden gevuld.
- **Handmatige waterpomp (76):** Steek het uiteinde van de slang van de handmatige waterpomp (76) in een met water gevulde emmer en steek het andere uiteinde van de slang door de opening in de watertank. Knijp in de handmatige waterpomp (76) om de watertank te vullen.
- **Trechter (77):** Steek de trechter (77) door de opening in de watertank en giet een emmer, gieter of maatbeker gevuld met water via de trechter in de watertank.
- Bekijk aan de zijkant van de watertank wat het waterniveau in de watertank is.
- Plaats het sluitdopje (33) van het bovenste waterreservoir (12) weer terug in de opening, zodat deze goed afgesloten wordt.

LET OP!

- **Het waterlevel is aan de zijkant van de tank af te lezen (FIG. A). Maximaal vullen tot niveau 6. De garantie vervalt als de watertank boven niveau 6 wordt gevuld.**
- **De weerstand is afhankelijk van het waterlevel in de tank. Niveau 1 is de laagste weerstand en niveau 6 is de hoogste weerstand.**

Watertank legen (2)

- Haal het sluitdopje (33) uit de opening van het bovenste waterreservoir (12).
- Plaats een lege emmer naast de watertank en steek het uiteinde van de van de slang van de handmatige waterpomp (76) in de lege emmer. Steek het andere uiteinde van de slang door de opening in het bovenste waterreservoir (12). Knijp in de handmatige waterpomp (76) om de watertank leeg te pompen.

- Maak de watertank droog met een doek wanneer deze leeg is.
- Plaats het sluitdopje (33) van het bovenste waterreservoir (12) weer terug in de opening, zodat deze goed afgesloten wordt.

TRAINEN MET HARTSLAG

Draadloze hartslagmeter (5 kHz en Bluetooth)

Dit VirtuFit fitnessstoel is voorzien van een draadloze hartslagontvanger. Voor de hartslagmeting met een draadloze hartslagmeter gebruikt u een hartslagmeter welke werkt op Bluetooth en/of een 5 kHz frequentie. Bij een Draadloze hartslagmeter is het belangrijk dat de elektroden licht vochtig zijn en de hartslagmeter goed aansluit op uw lichaam. Raadpleeg de gebruikershandleiding van uw hartslagmeter voor de juiste instructies. Onjuist gebruik van de hartslagmeter kan zorgen voor een afwijkende meting.

LET OP! Een draadloze hartslagmeter wordt niet standaard meegeleverd. Contacteer uw dealer voor de aanschaf van een draadloze hartslagmeter.

! WAARSCHUWING!

- **Indien u een pacemaker heeft raden wij aan uw huisarts te raadplegen voordat u een draadloze hartslagmeter gebruikt**
- **In ruimte met meerdere hartslagmeter raden wij aan voldoende afstand te houden om storing tussen verschillende apparaten te voorkomen.**
- **Probeer de draadloze hartslagmeter altijd binnen een bereik van 1 meter vanaf het console te houden voor een optimaal ontvangst.**
- **Draag een draadloze hartslagmeter altijd direct op het lichaam, onder de kleding.**

TRAINEN MET FITNESS APPS

VirtuFit verleent geen service voor fitness-apps van derde partijen zoals Kinomap, iConsole, FitShow etc.. Mocht u problemen ondervinden met een fitness-app van een derde partij, neem dan contact met de desbetreffende app-ontwikkelaar.

Instructie

- Om de QR-code te scannen met een Android of IOS telefoon of tablet is een QR-code scanner nodig. De app om QR-codes te scannen kan in de App Store of Google Play Store worden gedownload.

- Scan één van de QR-codes hieronder om direct naar de pagina in de App Store of Google Play Store te gaan waar de fitnessapp gedownload kan worden.
- Scan de QR-code aan de rechterkant om naar de handleiding van de fitnessapp te gaan. In de handleiding staat stap voor stap beschreven hoe de fitnessapp verbonden dient te worden met het toestel, hoe de fitnessapp werkt en welke mogelijkheden er zijn.

Fitshow



APP STORE



GOOGLE PLAY



HANDLEIDING

Kinomap



APP STORE



GOOGLE PLAY



HANDLEIDING

ONDERHOUD

Veilig en effectief gebruik kan alleen worden bereikt als het toestel goed wordt gemonteerd en onderhouden. Het is uw verantwoordelijkheid om ervoor te zorgen dat het toestel regelmatig wordt onderhouden. Onderdelen die al zijn gebruikt en/of beschadigd, moeten worden vervangen voordat het toestel verder gebruikt wordt. Het toestel mag alleen binnen worden gebruikt en opgeborgen. Langdurige blootstelling aan verwerking en veranderingen in temperatuur/vochtigheid kunnen een ernstige impact hebben op de elektrische componenten en bewegende delen van het toestel. Haal altijd de stroomkabel van het toestel uit het stopcontact voordat het apparaat wordt schoongemaakt of onderhouden.

Dagelijks onderhoud

- Reinig en verwijder zweet en vocht na elk gebruik.
- Controleer of het toestel vrij is van stof en vuil.

- Gebruik geen agressieve schoonmaakmiddelen en zorg dat het toestel vochtvrij blijft.

Halfjaarlijks onderhoud

- Inspecteer alle bouten en moeren in verband met bewegende delen van het toestel. Draai bouten en moeren vast indien nodig en zoals vereist.
- Controleer de mobiliteit van bewegende onderdelen en componenten van het toestel. Gebruik siliconenspray indien nodig en zoals vereist.

LET OP! Elke reparatie moet door een professionele technicus worden uitgevoerd, tenzij anders aangegeven door de leverancier of fabrikant.

Schoonmaak

Algemene reiniging van het apparaat zal de levensduur van het toestel verlengen. Houd het toestel schoon door regelmatig af te stoffen.

Regelmatig onderhoud verlengt de levensduur van uw toestel en voorkomt letsel! Kijk voor meer informatie op <https://www.virtufit.nl/service/faq/>

LET OP! Draag schone schoenen zodat de kans op vervuiling van het toestel vermindert.

Batterij

AAA BATTERIJEN

Het scherm maakt gebruik van AAA batterijen, deze zijn te vervangen aan de achterkant van het scherm. De batterijen moeten juist geplaatst zijn.

Als het scherm onleesbaar is of alleen delen van het beeld werken moeten de volgende stappen worden gevolgd:

- Haal de batterijen eruit en wacht 15 seconden.
- Plaats de batterijen weer op correcte wijze terug.

Advies batterijgebruik

- Haal de batterijen uit het scherm als ze leeg zijn of wanneer het apparaat voor langere tijd niet gebruikt wordt.
- Laad de batterijen niet op, haal ze niet uit elkaar en gooi ze niet

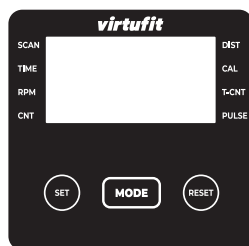
in het vuur.

- Let bij het plaatsen van de batterijen goed op de + en -. Wanneer de batterijen worden vervangen wordt het aangeraden om alle batterijen te vervangen, mix geen oude en nieuw batterijen.
- Het wordt aangeraden om alkaline batterijen te gebruiken, deze hebben een langere levensduur dan normale batterijen.
- Het vervangen van de batterijen is nodig wanneer het scherm minder helderheid verliest of wanneer het helemaal niks meer weergeeft.

Vervangen van batterijen

- Bij een onjuiste weergave op het scherm wordt het aangeraden om de batterijen te vervangen.
- Gebruik 2 stuks AAA batterijen als stroomvoorziening.

CONSOLE (FIG. A)



- **MODE** Instelling bevestigen en/of wisselen van weergave.
- **SET** Het instellen van TIME, COUNT, CAL.
- **RESET** Houd 3 seconden ingedrukt om instellingen te resetten.

Functies

- **SCAN** Druk op "MODE" totdat "SCAN" in beeld verschijnt. Het console zal wisselend 7 functies tonen: TIME, DISTANCE, CALORIE, COUNT, TOTAL COUNT, RPM, PULSE. De functies wisselen om de 6 seconden.
- **TIME** De totale trainingstijd van het begin tot het einde van de training wordt weergegeven. Druk op "MODE" totdat "TIME" in beeld verschijnt om een trainingstijd in te stellen.
- **RPM** Aantal slagen per minuut, geeft de slagsnelheid tijdens de training.
- **COUNT** Het aantal slagen tijdens de training wordt weergegeven. Druk op "MODE" totdat "COUNT" in beeld verschijnt om een doel in te stellen.
- **TOTAL COUNT** Het totale aantal slagen van het begin tot het einde van de training wordt weergegeven.
- **DISTANCE** De totale afstand van het begin tot het einde van de training wordt weergegeven.
- **CALORIES** Het totale aantal verbruikte calorieën van het begin tot het einde van de training wordt weergegeven. Druk op "MODE"

totdat "CAL" in beeld verschijnt om een caloriedoel in te stellen.

- **PULSE** Huidige hartslag wordt getoond als deze is gedetecteerd tijdens de training.

LET OP!

- **Wanneer er langer dan 4 minuten geen beweging is dan zal het console automatisch in slaapmodus gaan.**
- **Wanneer het toestel is gekoppeld aan een app, gaat het console niet automatisch in slaapmodus.**

TRAININGSRICHTLIJNEN (FIG. B, 1-5)

Een succesvol trainingsprogramma bestaat uit een warming-up, de training zelf en een cooling down. Voer de hele training minstens twee, maar bij voorkeur drie keer per week uit en houdt één dag rust tussen de trainingen. Na enkele maanden kan de trainingsintensiteit worden verhoogd tot bijvoorbeeld vier of vijf keer per week.

Warming-up

Het doel van een warming-up is dat het lichaam voorbereid wordt op een training en het vermindert de kans op blessures. Warm het lichaam op in twee tot vijf minuten voordat er met een cardio- of krachttraining begonnen wordt. Doe oefeningen die de hartslag verhogen en de werkende spieren opwarmen. Voorbeelden van dit soort activiteiten zijn: vlot lopen, joggen, jumping jacks, touwtje springen en rennen op de plaats.

Stretchen

Stretchen terwijl spieren warm zijn, is zeer belangrijk na een goede warming-up en cooling-down. Het vermindert de kans op blessures. Stretchoefeningen dienen gedurende 15 tot 30 seconden worden vastgehouden. Voorbeelden van stretchoefeningen zijn:

- Toe touch (Fig. B-1)
- Inner thigh stretch (Fig. B-2)
- Hamstring stretch (Fig. B-3)
- Achilles stretch (Fig. B-4)
- Side stretch (Fig. B-5)

Cooling-down

Het doel van de cooling-down is het lichaam aan het einde van de training terug te brengen naar de (bijna) normale ruststand. Een goede cooling-down vermindert langzaam uw hartslag en bevordert het herstel.

INHALTE

Sicherheitshinweise	18
Bürgschaft	18
Montageanleitung	18
Einstellung	19
Transport und Lagerung	19
Befüllen und entleeren des wassertanks	19
Training mit Herzfrequenz	20
Training mit Fitnessanwendunge	20
Wartung	21
Konsole	22
Trainingsrichtlinien	22

SICHERHEITSHINWEISE

⚠️ WARNUNG

Konsultieren Sie Ihren Arzt, bevor Sie mit dem Training beginnen. Dies ist besonders wichtig für Menschen mit gesundheitlichen Problemen. Bitte lesen Sie alle Anweisungen, bevor Sie das Gerät benutzen. VirtuFit übernimmt keine Verantwortung für Verletzungen oder Sachschäden, die durch die Verwendung dieses Geräts entstehen. Bitte lesen Sie diese Anleitung sorgfältig durch, bevor Sie das Gerät zusammenbauen und/oder benutzen.

- Vergewissern Sie sich, dass das Gerät richtig zusammengesetzt ist und dass alle Schrauben und Muttern fest angezogen sind, bevor Sie es benutzen.
- Schmieren Sie alle beweglichen Teile jährlich mit Vaseline (säurefrei) oder Silikonspray.
- Tragen Sie keine weite Kleidung, um zu vermeiden, dass Sie sich in beweglichen Teilen verfangen.
- Stellen Sie das Gerät auf einer festen, ebenen Fläche auf und benutzen Sie es.
- Tragen Sie immer saubere Sportschuhe, wenn Sie das Gerät benutzen.
- Halten Sie Kinder und Haustiere von dem Gerät fern, wenn Sie es benutzen.
- Achten Sie bei der Benutzung des Geräts auf Ihr Gleichgewicht.
- Stecken Sie Ihre Finger oder andere Gegenstände nicht in die beweglichen Teile.

- Konsultieren Sie vor dem Training Ihren Arzt, um die für Ihr Alter und Ihre körperliche Verfassung angemessene Häufigkeit, Dauer und Intensität des Trainings zu bestimmen. Brechen Sie das Training sofort ab, wenn Sie Übelkeit, Kurzatmigkeit, Ohnmacht, Kopfschmerzen, Brustschmerzen, Engegefühl oder andere Beschwerden verspüren.
- Halten Sie das Gerät nicht am Sitz fest, wenn Sie sich bewegen.
- Dieses Gerät darf nur von einer Person gleichzeitig benutzt werden.
- Das Gerät ist für den Hausgebrauch konzipiert und das maximale Benutzergewicht beträgt 120 kg.
- Lassen Sie hinter der Maschine 1-2 Meter Platz, um Unfälle zu vermeiden.
- Stellen Sie das Gerät auf eine saubere, ebene Fläche. Stellen Sie das Gerät nicht auf einen dicken Teppich, da dies die Belüftung des Geräts behindern kann. Stellen Sie das Gerät nicht im Freien oder in der Nähe von Wasser auf.
- Halten Sie den Aufbewahrungsort trocken, sauber und eben, um Schäden zu vermeiden. Verwenden Sie das Gerät nicht für andere Zwecke als zum Training.
- Verwenden Sie das Gerät nur in einer Umgebung, in der die Umgebungstemperatur zwischen 10°C und 35°C liegt. Lagern Sie das Gerät nur in einer Umgebung, in der die Temperatur zwischen 5°C und 45°C liegt.

BÜRGSCHAFT

Gewährleistungsansprüche sind ausgeschlossen, wenn die Ursache des Mangels die Folge ist von:

- Wartungs- und Reparaturarbeiten, die nicht von einem Vertragshändler durchgeführt wurden.
- Unsachgemäßer Gebrauch, Nachlässigkeit und/oder schlechte Wartung.
- Wenn das Gerät nicht gemäß den Anweisungen des Herstellers gewartet wurde.

MONTAGEANLEITUNG (STEP 01-05)

Fehlende Teile: Sollten Teile in der Verpackung fehlen, überprüfen Sie bitte sorgfältig den Styroporschäum und das Gerät selbst. Einige Teile

(Bolzen, Schrauben, usw.) sind bereits am Gerät angebracht.

Fehlermeldung: Vergewissern Sie sich, dass alle Kabel sorgfältig angebracht sind. Die Aluminiumfüße der Konsole sind sehr empfindlich und müssen gerade gehalten werden. Wenn die Konsole eine Fehlermeldung ausgibt, nachdem das Gerät montiert wurde, sind die Aluminiumfüße der Konsole möglicherweise verbogen. Das Richten der Aluminiumfüße kann dazu führen, dass die Fehlermeldung verschwindet.

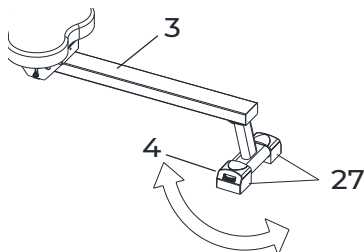
Sechskant-Schrauben: Achten Sie darauf, dass der Sechskantschlüssel in die Schraube gedrückt wird, bevor Sie Kraft anwenden. Dadurch wird verhindert, dass sich der Kopf der Innensechskantschraube dreht.

EINSTELLUNG

Wassermutter

Stellen Sie die verstellbaren Endkappen (27) an der Rückseite des hinteren Stabilisators (4) durch Drehen des Rads ein.

HINWEIS! Die Finger können zwischen beweglichen Teilen, wie dem Sitz, eingeklemmt werden. Halten Sie die Hände beim Einstellen und Benutzen des Geräts von den Schienen (3) fern.



Einstellen des Pedals

Der Pedalriemen ist verstellbar und kann auf die Fußgröße des Benutzers eingestellt werden.

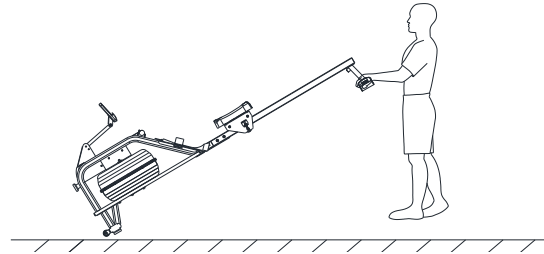
TRANSPORT UND LAGERUNG

HINWEIS! Schieben Sie den Sitz vor die Schienen, da der Sitz sonst in aufrechter Position verrutschen kann.

Transport

Heben Sie den hinteren Stabilisator (4) an, bis die Räder des vorderen Stabilisators den Boden berühren. Wenn die Räder auf dem Boden

stehen, lässt sich die Maschine leicht an den gewünschten Ort bewegen.

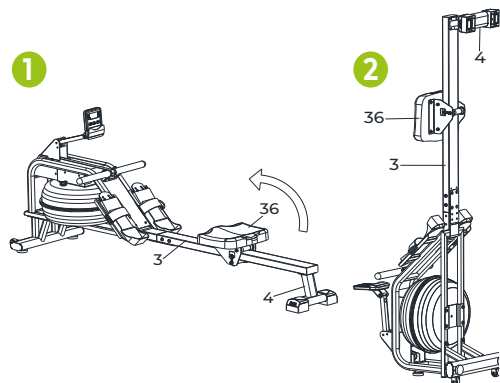


HINWEIS! Der Sitz gleitet, wenn sich die Maschine in aufrechter Position befindet.

Lagerung

VORSICHT! Lagern Sie das Werkzeug an einem trockenen Ort und außerhalb der Reichweite von Kindern. Achten Sie darauf, dass das Werkzeug stabil und sicher steht, damit es nicht auf Kinder oder Tiere fallen kann.

Bringen Sie das Gerät an den gewünschten Ort und heben Sie den hinteren Stabilisator (4) vollständig an, bis das Rudergerät senkrecht steht.



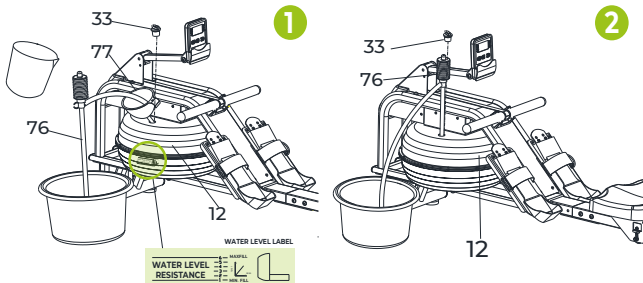
HINWEIS! Wenn das Rudergerät länger als einen Monat nicht benutzt wird, leeren Sie zuerst den Wassertank.

BEFÜLLEN UND ENTLEREN DES WSSERTANKS

VORSICHT!

- Füllen Sie den Tank immer nur mit Leitungswasser und fügen Sie eine Wasserreinigungstablette hinzu. Verwenden Sie niemals gechlortes Wasser oder Chlor. Dies kann den Tank beschädigen und zum Erlöschen der Garantie führen.
- Fügen Sie einmal alle sechs Monate eine Wasserreinigungstablette hinzu. Wenn das Wasser trüb bleibt, ersetzen Sie das Wasser im Tank.

- **Das Wasser im Tank ist nicht genießbar. Werfen Sie das Wasser weg, nachdem es aus dem Tank gepumpt wurde.**



Befüllen des Wassertanks (1)

- Entfernen Sie die Verschlusskappe (33) von der oberen Öffnung des Wassertanks (12). Der Wassertank kann auf zwei Arten befüllt werden.
- **Manuelle Wasserpumpe (76):** Stecken Sie das Schlauchende der Handwasserpumpe (76) in den mit Wasser gefüllten Eimer und stecken Sie das andere Ende des Schlauchs in die Öffnung des Wassertanks. Drücken Sie die Handwasserpumpe (76), um den Wassertank zu füllen.
- **Trichter (77):** Stecken Sie den Trichter (77) in die Öffnung des Wassertanks und gießen Sie einen Eimer voll Wasser durch den Trichter in den Wassertank.
- Schauen Sie an der Seite des Wassertanks nach, um zu sehen, wie hoch der Wasserstand im Tank ist.
- Setzen Sie die Verschlusskappe (33) des Wassertanks wieder auf die Öffnung des Wassertanks (12), so dass sie richtig verschlossen ist.

HINWEIS!

- Sie können den Wasserstand an der Seite des Tanks ablesen (ABB. A). Füllen Sie den Tank bis zum Höchststand auf 6. Die Garantie erlischt, wenn der Wassertank über Stufe 6 gefüllt wird.
- Der Widerstand hängt vom Wasserstand im Tank ab. Stufe 1 ist der niedrigste Widerstand und Stufe 6 der höchste.

Entleeren des Wassertanks (2)

- Entfernen Sie die Verschlusskappe (33) von der oberen Öffnung des Wassertanks (12).
- Stellen Sie einen leeren Eimer neben den Wassertank und stecken Sie das Ende des Schlauches der Handwasserpumpe in den leeren Eimer. Stecken Sie das andere Ende des Schlauches in die Öffnung des Wassertanks (12). Drücken Sie

auf die Handwasserpumpe (76), um den Wassertank zu entleeren.

- Wenn der Wassertank leer ist, trocknen Sie ihn mit einem Tuch ab.
- Setzen Sie die Verschlusskappe (33) des Wassertanks wieder auf die Öffnung des Wassertanks (12), so dass sie richtig verschlossen ist.

TRAINING MIT HERZFREQUENZ

Drahtloser Herzfrequenz-Empfänger (5 kHz und Bluetooth)

Dieses VirtuFit Fitnessgerät ist mit einem drahtlosen Herzfrequenz-Empfänger ausgestattet. Für die Herzfrequenzmessung mit einem drahtlosen Herzfrequenzmessgerät verwenden Sie ein Herzfrequenzmessgerät, das mit Bluetooth und / oder einer 5 kHz Frequenz arbeitet. Bei einem kabellosen Herzfrequenzmessgerät ist es wichtig, dass die Elektroden leicht feucht sind und das Herzfrequenzmessgerät gut an Ihrem Körper anliegt. Lesen Sie die Gebrauchsanweisung Ihres Herzfrequenzmessgeräts, um die richtigen Anweisungen zu erhalten. Eine unsachgemäße Verwendung des Herzfrequenzmessgeräts kann zu abnormalen Messwerten führen.

HINWEIS! Ein drahtloses Herzfrequenzmessgerät ist nicht im Lieferumfang enthalten. Wenden Sie sich an Ihren Händler, um ein drahtloses Herzfrequenzmessgerät zu erwerben.

! WARNUNG!

- Wenn Sie einen Herzschrittmacher tragen, sollten Sie Ihren Arzt konsultieren, bevor Sie ein drahtloses Herzfrequenzmessgerät verwenden.
- In Räumen mit mehreren Herzfrequenzmessgeräten sollten Sie genügend Abstand halten, um Interferenzen zwischen den verschiedenen Geräten zu vermeiden.
- Versuchen Sie immer, das drahtlose Herzfrequenzmessgerät innerhalb eines Abstands von 1 Meter von der Konsole zu halten, um einen optimalen Empfang zu gewährleisten.
- Tragen Sie ein drahtloses Herzfrequenzmessgerät immer direkt am Körper, unter der Kleidung.

TRAINING MIT FITNESSANWENDUNG

VirtuFit bietet keinen Service für Fitnessanwendungen von Drittanbietern wie Kinomap, iConsole, FitShow usw. Wenn Sie Probleme mit einer Fitness-Anwendung eines Drittanbieters haben, wenden Sie sich bitte an den Entwickler der betreffenden Anwendung.

Anleitung

- Um den QR-Code mit einem Android- oder IOS-Telefon oder -Tablet zu scannen, ist ein QR-Code-Scanner erforderlich. Die App zum Scannen von QR-Codes kann im App Store oder im Google Play Store heruntergeladen werden.
- Scannen Sie einen der unten stehenden QR-Codes, um direkt zur Seite des App Store oder Google Play Store zu gelangen, wo die Fitness-App heruntergeladen werden kann.
- Scannen Sie den QR-Code auf der rechten Seite, um das Handbuch für die Fitness-App aufzurufen. Das Handbuch beschreibt Schritt für Schritt, wie Sie die Fitness-App mit dem Gerät verbinden, wie die Fitness-App funktioniert und welche Möglichkeiten sie bietet.

Fitshow



APP STORE



GOOGLE PLAY



ANLEITUNG

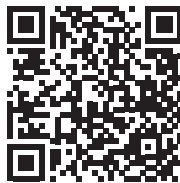
Kinomap



APP STORE



GOOGLE PLAY



ANLEITUNG

WARTUNG

Eine sichere und effiziente Nutzung kann nur erreicht werden, wenn das Gerät ordnungsgemäß installiert und gewartet wird. Es liegt in Ihrer Verantwortung, dafür zu sorgen, dass das Gerät regelmäßig gewartet wird. Benutzte und/oder beschädigte Teile müssen ersetzt werden, bevor das Gerät wieder benutzt wird. Das Gerät sollte nur in Innenräumen verwendet und gelagert werden. Wenn das Gerät über einen längeren Zeitraum hinweg Witterungseinflüssen sowie Temperatur- und Feuchtigkeitsschwankungen ausgesetzt ist, kann dies schwerwiegende Auswirkungen auf die elektrischen Komponenten und beweglichen Teile des Geräts haben. Ziehen Sie immer den Netzstecker aus dem Gerät, bevor Sie es reinigen oder

warten.

Tägliche Wartung

- Reinigen Sie das Gerät nach jedem Gebrauch und entfernen Sie Schweiß und Feuchtigkeit.
- Prüfen Sie, ob das Gerät frei von Staub und Schmutz ist.
- Verwenden Sie keine aggressiven Reinigungsmittel und halten Sie das Gerät von Feuchtigkeit fern.

Halbjährliche Wartung

- Überprüfen Sie alle Schrauben und Muttern, die mit den beweglichen Teilen des Geräts verbunden sind. Ziehen Sie die Schrauben und Muttern nach Bedarf und Bedarf an.
- Überprüfen Sie die Beweglichkeit der beweglichen Teile und Komponenten des Geräts. Bei Bedarf und Eignung Silikonspray verwenden.

ACHTUNG! *Alle Reparaturen müssen von einem professionellen Techniker durchgeführt werden, es sei denn, der Lieferant oder Hersteller schreibt etwas anderes vor.*

Reinigung

Die allgemeine Reinigung des Geräts verlängert seine Lebensdauer. Halten Sie das Gerät sauber, indem Sie es regelmäßig abstauben.

Regelmäßige Wartung verlängert die Lebensdauer Ihrer Maschine und verhindert Unfälle! Für weitere Informationen besuchen Sie bitte <https://www.virtufit.nl/service/faq/>

ACHTUNG! *Tragen Sie saubere Schuhe, um das Risiko einer Verschmutzung des Geräts zu verringern.*

Batterie

AAA-BATTERIEN

Das Display wird mit AAA-Batterien betrieben, die auf der Rückseite des Displays austauschbar sind. Die Batterien müssen richtig eingelegt werden.

Wenn der Bildschirm unlesbar ist oder nur Teile des Bildes funktionieren, gehen Sie wie folgt vor:

- Nehmen Sie die Batterien heraus.

- Warten Sie 15 Sekunden und setzen Sie die Batterien dann wieder richtig ein.

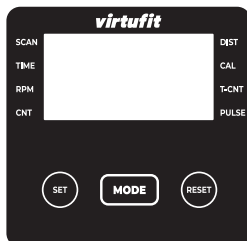
Tipps zur Verwendung der Batterie

- Nehmen Sie die Batterien aus dem Bildschirm, wenn sie leer sind oder wenn die Kamera für längere Zeit nicht benutzt werden soll.
- Laden Sie die Batterien nicht auf, zerlegen Sie sie nicht und entsorgen Sie sie nicht im Feuer.
- Achten Sie beim Einlegen der Batterien genau auf + und -. Wenn Sie die Batterien austauschen, sollten Sie alle Batterien austauschen und nicht alte und neue Batterien mischen.
- Es wird empfohlen, Alkalibatterien zu verwenden, da diese eine längere Lebensdauer als normale Batterien haben.
- Die Batterien sollten ersetzt werden, wenn das Display an Helligkeit verliert oder nicht mehr angezeigt wird.

Batteriewechsel

- Wenn die Anzeige ungenau ist, wird empfohlen, die Batterien zu ersetzen.
- Verwenden Sie 2 x AAA-Batterien für die Stromversorgung.

KONSOLE (FIG. A)



- **MODE** Bestätigen der Einstellung und/oder Ändern der Anzeige
- **SET** Einstellung von TIME, COUNT, CAL.
- **RESET** Sie die Taste 3 Sekunden lang gedrückt, um die Einstellungen zurückzusetzen.

Functies

- **SCAN** Drücken Sie "MODE", bis "SCAN" angezeigt wird. Die Konsole wechselt zwischen 7 Funktionen: TIME, DISTANCE, CALORIE, COUNT, TOTAL COUNT, RPM, PULSE. Jede Funktion wird 6 Sekunden lang gehalten.
- **TIME** Die Gesamttrainingszeit vom Beginn bis zum Ende des Trainings wird angezeigt. Drücken Sie "MODE", bis "TIME" erscheint, um eine Trainingszeit einzustellen.
- **RPM** Anzahl der Schläge pro Minute, die die

Schlaggeschwindigkeit während des Trainings.

- **COUNT** Die Anzahl der Schläge während des Trainings wird angezeigt. Drücken Sie "MODE", bis "COUNT" angezeigt wird, um ein Ziel einzustellen.
- **TOTAL COUNT** Die Gesamtzahl der Schläge von Anfang bis Ende des Trainings wird angezeigt.
- **DISTANCE** Die Gesamtdistanz vom Beginn bis zum Ende des Trainings wird angezeigt.
- **CALORIES** Der gesamte Kalorienverbrauch vom Beginn bis zum Ende des Trainings wird angezeigt. Drücken Sie "MODE", bis "CAL" angezeigt wird, um ein Kalorienziel einzustellen.
- **PULSE** Die aktuelle Herzfrequenz wird angezeigt, wenn sie während des Trainings gemessen wurde.

HINWEIS!

- **Wenn Sie sich länger als 4 Minuten nicht bewegen, schaltet sich die Konsole automatisch ab.**
- **Wenn die Konsole mit einer App gekoppelt ist, geht sie nicht automatisch in den Ruhezustand.**

TRAININGSRICHTLINIEN (FIG. B, 1-5)

Ein erfolgreiches Trainingsprogramm umfasst ein Aufwärmprogramm, das eigentliche Training und ein Abkühlungsprogramm. Führen Sie das komplette Trainingsprogramm mindestens zweimal, besser jedoch dreimal pro Woche durch und halten Sie einen Ruhetag zwischen den Trainingseinheiten ein. Nach einigen Monaten kann die Intensität des Trainings erhöht werden, zum Beispiel auf vier- oder fünfmal pro Woche.

Das Aufwärmen

Das Aufwärmen dient dazu, den Körper auf das Training vorzubereiten und das Verletzungsrisiko zu verringern. Wärmen Sie Ihren Körper zwei bis fünf Minuten lang auf, bevor Sie mit einem Ausdauer- oder Krafttraining beginnen. Machen Sie Übungen, die die Herzfrequenz erhöhen und die arbeitenden Muskeln aufwärmen. Beispiele für diese Art von Aktivität sind Laufen, Joggen, Hampelmänner, Hüpfen und Laufen auf der Stelle.

Dehnen

Dehnen, während die Muskeln warm sind, ist nach einem guten Aufwärm- und Abkühltraining sehr wichtig. Dadurch wird das Verletzungsrisiko verringert. Dehnungsübungen sollten 15-30 Sekunden lang gehalten werden. Hier sind einige Beispiele für

Dehnungsübungen:

- Toe touch (Fig. B-1)
- Inner thigh stretch (Fig. B-2)
- Hamstring stretch (Fig. B-3)
- Achilles stretch (Fig. B-4)
- Side stretch (Fig. B-5)

Abkühlung

Der Zweck des Cool-downs besteht darin, den Körper am Ende des Trainings in seine (fast) normale Ruheposition zu bringen. Ein gutes Cool-down senkt langsam die Herzfrequenz und fördert die Regeneration.

SOMMAIRE

Consignes de sécurité	24
Garanties	24
Instructions de montage	24
Ajustement	25
Déplacement et stockage	25
Remplir et vider le réservoir d'eau	25
Entraînement avec la fréquence cardiaque	26
Entraînement avec des apps de fitness	26
Entretien	27
Console	28
Directives de formation	28

CONSIGNES DE SÉCURITÉ

⚠ AVERTISSEMENT

Consultez votre médecin avant de commencer à faire de l'exercice. Ceci est particulièrement important pour les personnes ayant des problèmes de santé. Veuillez lire toutes les instructions avant d'utiliser la machine. VirtuFit n'assume aucune responsabilité pour les blessures ou les dommages matériels résultant de l'utilisation de cet équipement. Veuillez lire attentivement ce manuel avant d'assembler et/ou d'utiliser la machine.

- Assurez-vous que la machine est correctement assemblée et que tous les écrous et boulons sont bien serrés avant de l'utiliser.
- Lubrifiez chaque année toutes les pièces mobiles avec de la vaseline (non acide) ou un spray au silicone.
- Ne portez pas de vêtements amples pour éviter qu'ils ne se prennent dans les pièces mobiles.
- Installez et utilisez l'appareil sur une surface solide et plane.
- Portez toujours des chaussures de sport propres lorsque vous utilisez l'appareil.
- Tenez les enfants et les animaux domestiques à l'écart de l'appareil pendant son utilisation.
- Maintenez votre équilibre lorsque vous utilisez l'appareil.
- Ne placez pas vos doigts ou d'autres objets dans les parties mobiles.
- Avant de vous entraîner, consultez votre médecin afin de

déterminer la fréquence, la durée et l'intensité d'entraînement appropriées à votre âge et à votre condition physique. Arrêtez immédiatement l'entraînement si vous ressentez des nausées, un essoufflement, un évanouissement, des maux de tête, des douleurs thoraciques, une oppression ou tout autre malaise.

- Ne tenez pas la machine par le siège lors des déplacements.
- Cet appareil ne doit être utilisé que par une seule personne à la fois.
- Cette machine est conçue pour un usage domestique et le poids maximal de l'utilisateur est de 120 kg.
- Laissez 1 à 2 mètres d'espace derrière la machine pour éviter les accidents.
- Placez la machine sur une surface propre et plane. Ne le posez pas sur un tapis épais, qui pourrait gêner la ventilation de l'appareil. Ne placez pas l'appareil à l'extérieur ou près de l'eau.
- Maintenez l'emplacement de stockage sec, propre et de niveau pour éviter tout dommage. Il est interdit d'utiliser l'appareil à des fins autres que la formation.
- Utilisez l'appareil uniquement dans un environnement dont la température ambiante est comprise entre 10 °C et 35 °C. Conservez l'appareil uniquement dans un environnement dont la température est comprise entre 5 °C et 45 °C.

GARANTIE

Les demandes de garantie sont exclues si la cause du défaut est le résultat de:

- Travaux d'entretien et de réparation non effectués par un concessionnaire officiel.
- En cas d'utilisation inappropriée, de négligence et/ou de mauvais entretien.
- Le fait de ne pas entretenir l'appareil conformément aux instructions du fabricant.

INSTRUCTIONS DE MONTAGE (STEP 01-05)

Des pièces manquantes: Si certaines pièces manquent dans l'emballage, vérifiez soigneusement la mousse de polystyrène et l'appareil lui-même. Certaines pièces (boulons, vis, etc.) sont déjà fixées à l'appareil.

Message d'erreur: Veillez à ce que tous les câbles soient fixés avec soin. Les pieds en aluminium de la console sont très sensibles et doivent rester droits. Si la console donne un message d'erreur après le montage de la machine, il se peut que les pieds en aluminium de la console soient pliés. Redressez les pieds en aluminium, cela peut faire disparaître le message d'erreur.

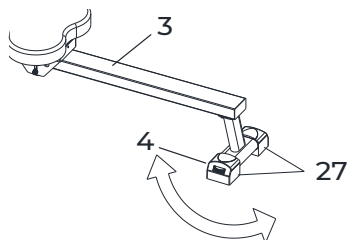
Boulons à tête hexagonale: Assurez-vous que la clé hexagonale est bien enfoncée dans le boulon avant d'appliquer la force. Cela empêchera la tête du boulon à douille de tourner.

AJUSTEMENT

Embout d'eau

Réglez les embouts réglables (27) à l'arrière du stabilisateur arrière (4) en tournant la roue.

REMARQUE! Les doigts peuvent être coincés entre les pièces mobiles, comme le siège. Gardez les mains éloignées des rails (3) lors du réglage et de l'utilisation de l'appareil.



Réglage de la pédale

La sangle de la pédale est réglable et peut être adaptée à la taille du pied de l'utilisateur.

DÉPLACEMENT ET STOCKAGE

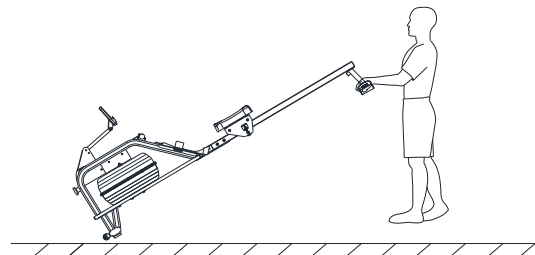
REMARQUE! Faites glisser le siège vers l'avant des rails, sinon le siège glissera lorsque l'appareil sera en position verticale.

Déménagement

ATTENTION! Rangez l'outil dans un endroit sec, hors de portée des enfants. Assurez-vous que l'appareil est stable et sûr, afin qu'il ne puisse pas tomber sur des enfants ou des animaux.

Soulevez le stabilisateur arrière jusqu'à ce que les roues du stabilisateur

avant touchent le sol. Avec les roues au sol, la machine peut facilement être déplacée à l'endroit souhaité.

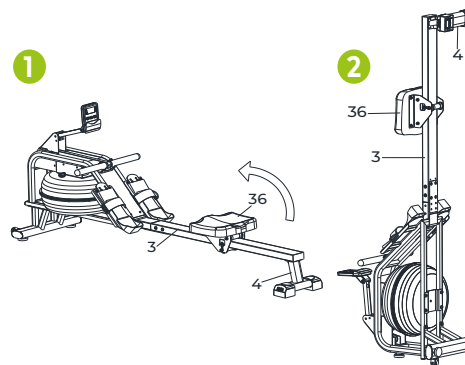


REMARQUE: Le siège glisse lorsque la machine est en position verticale.

Stockage

REMARQUE! Rangez le vélo d'appartement pliable dans un endroit sec, hors de portée des enfants, comme indiqué sur le schéma. Assurez-vous que le vélo d'exercice pliable est stable et sécurisé pour éviter qu'il ne tombe sur des animaux ou des enfants.

Déplacez l'appareil à l'endroit souhaité et soulevez complètement le stabilisateur arrière (4) jusqu'à ce que le rameur soit vertical.

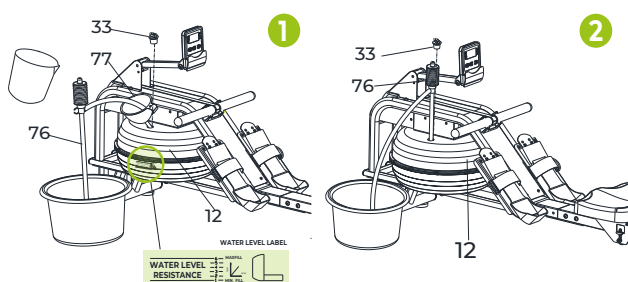


REMARQUE! Si le rameur n'est pas utilisé pendant plus d'un mois, videz d'abord le réservoir d'eau.

REMPLEIR ET VIDER LE RÉSERVOIR D'EAU

ATTENTION!

- Remplissez toujours le réservoir avec de l'eau du robinet uniquement et ajoutez une pastille de purification de l'eau. N'utilisez jamais d'eau chlorée ou de chlore. Cela peut endommager le réservoir et annuler la garantie.
- Ajoutez une tablette de purification de l'eau une fois tous les six mois. Si l'eau reste trouble, remplacez l'eau du réservoir.
- L'eau du réservoir n'est pas consommable. Jetez l'eau après qu'elle ait été pompée hors du réservoir.



Remplir le réservoir d'eau (1)

- Retirez le bouchon (33) du réservoir d'eau situé au niveau de l'ouverture du réservoir d'eau supérieur (12). Le réservoir d'eau peut être rempli de deux façons.
- Pompe à eau manuelle (76):** Insérez l'extrémité du tuyau de la pompe à eau manuelle (76) dans le seau rempli d'eau et insérez l'autre extrémité du tuyau dans l'ouverture du réservoir d'eau. Pressez la pompe à eau manuelle pour remplir le réservoir d'eau.
- Entonnoir (77):** Insérez l'entonnoir (77) dans l'ouverture du réservoir d'eau et versez un seau rempli d'eau à travers l'entonnoir dans le réservoir d'eau.
- Regardez sur le côté du réservoir d'eau pour voir quel est le niveau d'eau dans le réservoir.
- Remettez le bouchon (33) de fermeture du réservoir d'eau sur l'ouverture du réservoir d'eau (12), de manière à ce qu'il soit correctement fermé.

REMARQUE!

- Vous pouvez lire le niveau d'eau sur le côté du réservoir (FIG. A). Remplissez jusqu'au niveau maximum 6. La garantie sera annulée si le réservoir d'eau est rempli au-dessus du niveau 6.
- La résistance dépend du niveau d'eau dans le réservoir. Le niveau 1 est la résistance la plus faible et le niveau 6 est la résistance la plus élevée.

Vider le réservoir d'eau (2)

- Retirez le bouchon (33) du réservoir d'eau situé au niveau de l'ouverture du réservoir d'eau supérieur (12). Le réservoir d'eau peut être rempli de deux façons.
- Placez un seau vide à côté du réservoir d'eau et insérez l'extrémité du tuyau de la pompe à eau manuelle (76) dans le seau vide. Insérez l'autre extrémité du tuyau dans l'ouverture du réservoir d'eau (12). Pressez la pompe à eau manuelle pour vider le réservoir d'eau.
- Lorsque le réservoir d'eau est vide, séchez-le avec un chiffon.
- Remettez le bouchon (33) de fermeture du réservoir d'eau sur l'ouverture du réservoir d'eau (12), de manière à ce qu'il

soit correctement fermé.

ENTRAÎNEMENT AVEC LA FRÉQUENCE CARDIAQUE

Récepteur de fréquence cardiaque sans fil (5 kHz et Bluetooth)

Cet équipement de fitness VirtuFit est équipé d'un récepteur de fréquence cardiaque sans fil. Pour la mesure de la fréquence cardiaque avec un moniteur de fréquence cardiaque sans fil, utilisez un moniteur de fréquence cardiaque qui fonctionne sur Bluetooth et / ou une fréquence de 5 kHz. Avec un cardiofréquencemètre sans fil, il est important que les électrodes soient légèrement humides et que le cardiofréquencemètre soit bien ajusté à votre corps. Reportez-vous au manuel d'utilisation de votre cardiofréquencemètre pour obtenir des instructions appropriées. Une utilisation incorrecte du moniteur de fréquence cardiaque peut entraîner des relevés anormaux.

REMARQUE! Un moniteur de fréquence cardiaque sans fil n'est pas fourni en standard. Contactez votre revendeur pour acheter un moniteur de fréquence cardiaque sans fil.

⚠ AVERTISSEMENT!

- Si vous avez un stimulateur cardiaque, il est recommandé de consulter votre médecin avant d'utiliser un moniteur de fréquence cardiaque sans fil.
- Dans les pièces où se trouvent plusieurs cardiofréquencemètres, il est recommandé de garder une distance suffisante pour éviter les interférences entre les différents appareils.
- Essayez toujours de maintenir le cardiofréquencemètre sans fil à moins d'un mètre de la console pour une réception optimale.
- Portez toujours un cardiofréquencemètre sans fil directement sur le corps, sous les vêtements.

ENTRAÎNEMENT AVEC DES APPS DE FITNESS

VirtuFit ne fournit pas de service pour les applications de fitness tierces telles que Kinomap, iConsole, FitShow etc. Si vous rencontrez des problèmes avec une application de fitness tierce, veuillez contacter le développeur de l'application en question.

Instruction

- Pour scanner le code QR avec un téléphone ou une tablette Android ou IOS, un scanner de code QR est nécessaire.

L'application permettant de scanner les codes QR peut être téléchargée sur l'App Store ou le Google Play Store.

- Scannez l'un des codes QR ci-dessous pour accéder directement à la page de l'App Store ou du Google Play Store où l'application de fitness peut être téléchargée.
- Scannez le code QR à droite pour accéder au manuel de l'application de fitness. Le manuel décrit étape par étape comment connecter l'application de fitness à l'appareil, comment l'application de fitness fonctionne et quelles sont ses possibilités.

Fitshow



APP STORE



GOOGLE PLAY



MANUEL

Kinomap



APP STORE



GOOGLE PLAY



MANUEL

ENTRETIEN

Une utilisation sûre et efficace ne peut être obtenue que si l'appareil est correctement installé et entretenu. Il est de votre responsabilité de veiller à ce que l'appareil soit entretenu régulièrement. Les pièces qui ont été utilisées et/ou endommagées doivent être remplacées avant toute nouvelle utilisation de l'appareil. L'appareil doit être utilisé et rangé uniquement à l'intérieur. Une exposition à long terme aux intempéries et aux changements de température/humidité peut avoir un impact sérieux sur les composants électriques et les pièces mobiles de l'appareil. Débranchez toujours le câble d'alimentation de l'appareil avant de le nettoyer ou de l'entretenir.

Entretien quotidien

- Nettoyez et éliminez la sueur et l'humidité après chaque utilisation.
- Vérifiez que l'appareil est exempt de poussière et de saleté.

- N'utilisez pas de produits de nettoyage agressifs et maintenez l'appareil à l'abri de l'humidité.

Entretien semestriel

- Inspectez tous les boulons et écrous liés aux parties mobiles de l'unité. Serrez les boulons et les écrous si nécessaire et selon les besoins.
- Vérifiez la mobilité des pièces et composants mobiles de l'appareil. Utilisez le spray silicone si nécessaire et selon les besoins.

ATTENTION! Toute réparation doit être effectuée par un technicien professionnel, sauf indication contraire du fournisseur ou du fabricant.

Nettoyage

Un nettoyage général de la machine permet de prolonger sa durée de vie. Gardez la machine propre en la dépoussiérant régulièrement. Un entretien régulier prolonge la durée de vie de votre appareil et évite les accidents! Pour plus d'informations, veuillez consulter le site <https://www.virtufit.nl/service/faq/>

ATTENTION! Portez des chaussures propres pour réduire le risque de salir l'appareil.

Batterie

BATTERIES AA

L'écran utilise des piles AA, qui sont remplaçables à l'arrière de l'écran. Les piles doivent être insérées correctement.

Si l'écran est illisible ou si seules certaines parties de l'image fonctionnent, procédez comme suit:

- Retirez les piles et attendez 15 secondes.
- Puis remplacez les piles correctement.

Conseils sur l'utilisation de la batterie

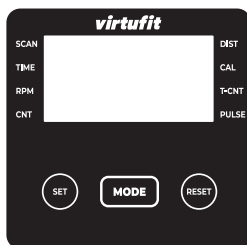
- Retirez les piles de l'écran lorsqu'elles sont vides ou lorsque l'appareil ne sera pas utilisé pendant une longue période.
- Ne pas recharger, démonter ou jeter les piles au feu.
- Faites bien attention au + et au - lorsque vous insérez les piles. Lors du remplacement des piles, il est recommandé de remplacer toutes les piles, ne pas mélanger les anciennes et les nouvelles piles.

- Il est recommandé d'utiliser des piles alcalines, elles ont une durée de vie plus longue que les piles normales.
- Il est nécessaire de remplacer les piles lorsque l'écran perd de sa luminosité ou cesse de s'afficher.

Remplacement des piles

- Si l'affichage n'est pas précis, il est recommandé de remplacer les piles.
- Utilisez 4 piles 1,5 AA pour l'alimentation.

CONSOLE (FIG. A)



- **MODE** Confirmation du réglage et/ou modification de l'affichage
- **SET** Réglage des paramètres TIME, COUNT, CAL.
- **RESET** Maintenez la touche enfoncée pendant 3 secondes pour réinitialiser les réglages.

Fonctions

- **SCAN** Appuyez sur "MODE" jusqu'à ce que "SCAN" soit affiché. La console alternera entre 7 fonctions: TIME, DISTANCE, CALORIE, COUNT, TOTAL COUNT, RPM, PULSE. Chaque fonction est maintenue pendant 6 secondes.
- **TIME** Le temps total d'entraînement du début à la fin de l'entraînement est affiché. Appuyez sur "MODE" jusqu'à ce que "TIME" apparaisse pour définir une durée d'entraînement.
- **RPM** Nombre de battements par minute, indiquant la vitesse de battement pendant l'exercice.
- **COUNT** Le nombre de battements pendant l'exercice est affiché. Appuyez sur "MODE" jusqu'à ce que "COUNT" s'affiche pour définir un objectif.
- **TOTAL COUNT** Le nombre total de battements du début à la fin de l'exercice s'affiche.
- **DISTANCE** La distance totale du début à la fin de la séance d'entraînement est affichée.
- **CALORIES** Le nombre total de calories consommées du début à la fin de la séance d'entraînement est affiché. Appuyez sur "MODE" jusqu'à ce que "CAL" s'affiche pour définir un objectif de calories.
- **PULSE** La fréquence cardiaque actuelle est affichée si elle est détectée pendant l'exercice.

REMARQUE!

- *S'il n'y a pas de mouvement pendant plus de 4 minutes, la console s'éteint automatiquement.*
- *Lorsqu'elle est associée à une application, la console ne se met pas automatiquement en mode veille.*

DIRECTIVES DE FORMATION (FIG. B, 1-5)

Un programme d'entraînement réussi comprend un échauffement, l'entraînement proprement dit et un retour au calme. Effectuez le programme d'entraînement complet au moins deux, mais de préférence trois fois par semaine et gardez un jour de repos entre les séances d'entraînement. Après quelques mois, l'intensité de l'entraînement peut être augmentée, par exemple à quatre ou cinq fois par semaine.

L'échauffement

L'objectif d'un échauffement est de préparer le corps à l'entraînement et de réduire le risque de blessure. Réchauffez votre corps pendant deux à cinq minutes avant de commencer un entraînement cardio ou musculaire. Faites des exercices qui augmentent le rythme cardiaque et échauffent les muscles qui travaillent. Exemples de ce type d'activités: course, jogging, jumping jacks, saut à la corde et course sur place.

Étirements

Les étirements pendant que les muscles sont chauds sont très importants après un bon échauffement et un bon retour au calme. Il réduit les risques de blessures. Les exercices d'étirement doivent être maintenus pendant 15 à 30 secondes. Voici quelques exemples d'exercices d'étirement:

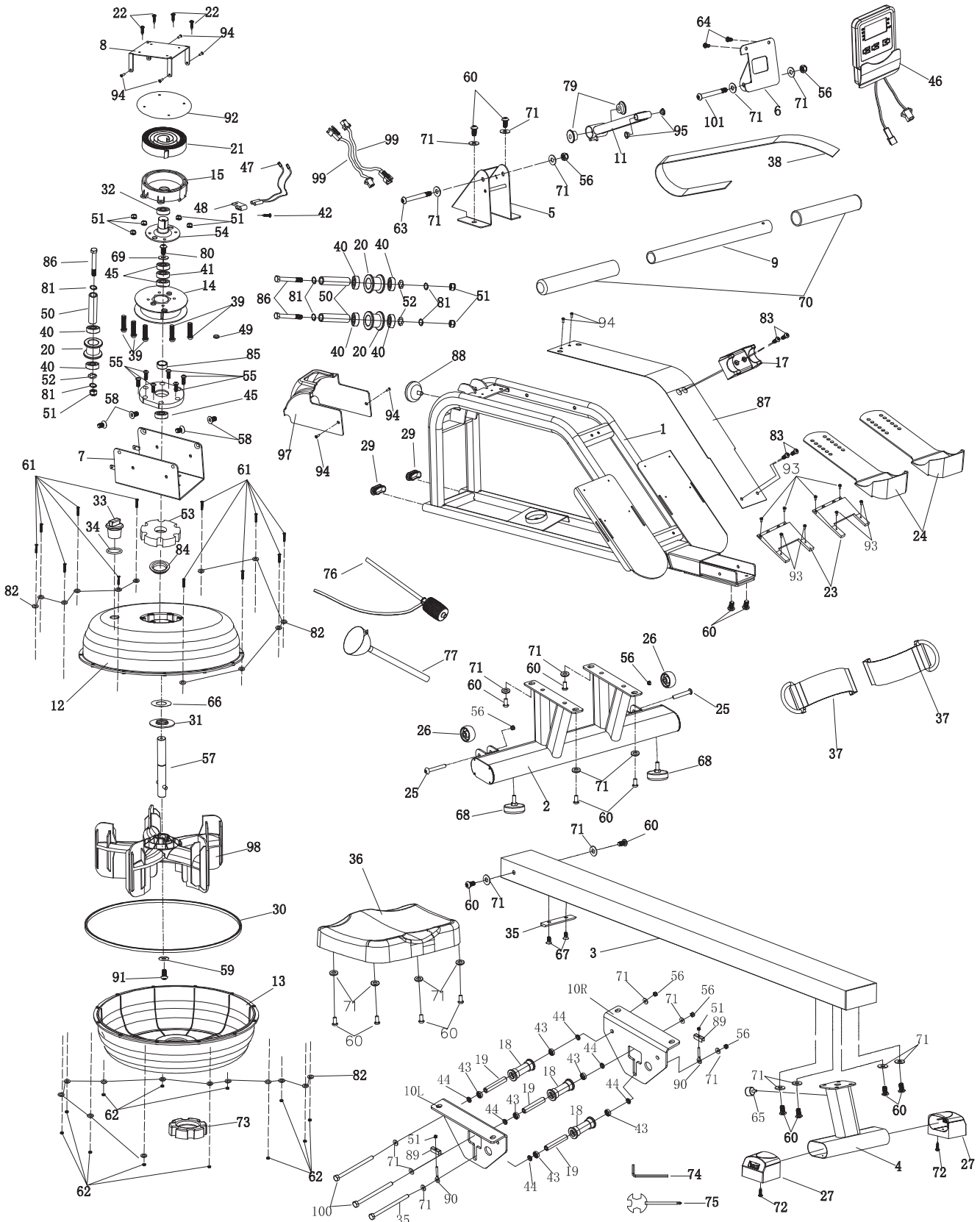
- Toe touch (Fig. B-1)
- Inner thigh stretch (Fig. B-2)
- Hamstring stretch (Fig. B-3)
- Achilles stretch (Fig. B-4)
- Side stretch (Fig. B-5)

Retour au calme

Le but du refroidissement est de ramener le corps à sa position de repos (presque) normale à la fin de l'entraînement. Un bon retour au calme réduit lentement votre rythme cardiaque et favorise la récupération.

EXPLODED DRAWING

virtufit



PARTS LIST

virtufit

#	DESCRIPTION	QTY.
1	Main Frame	1
2	Front Stabilizer	1
3	Slide Rail	1
4	Rear Stabilizer	1
5	connection supprt	1
6	Monitor Support Plate	1
7	Tank plate	1
8	Connecting Plate	1
9	Handlebar	1
10L/R	Seat Carriage L/R	2
11	console Rotation Set	1
12	Upper Tank Cover	1
13	Lower Tank Cover	1
14	Mesh Belt Disc	1
15	Mesh Belt Wheel 115*110*34.5	1
16	N/A	
17	Handlebar Seat	1
18	Roller	3
19	Spacer	3
20	Mesh Belt Wheel	3
21	Volute Spring t0.5*22*5080	1
22	screw ST4.2*16	4
23	Pedal fixed mount	2
24	Pedal	2
25	screw M8*40*S5	2
26	moving wheel 40*8.5*22	2
27	Adjustable End Cap	2
28	N/A	
29	end cap	2
30	Rubber Sealing Ring	1
31	Rubber Sealing Ring	1
32	Bearing 61905	1
33	Fill Plug	1
34	O-shaped Ring	1
35	screw M8*125	1
36	seat	1
37	Pedal Strap	2
38	belt	1

#	DESCRIPTION	QTY.
39	screw M6*40*15*S5	5
40	Bearing 6000	6
41	One-way Bearing	1
42	screw ST3.5*16*18	1
43	Bearing 608ZZ	6
44	Alloy Wrap	6
45	Bearing 69004	3
46	Monitor	1
47	Sensor	2
48	Sensor holder	1
49	Magnet Ø10*5	1
50	Casing Pipe Ø10*Ø6.2*40	3
51	Nylon Lock Nut M6*H6*S10	10
52	Wave Washer d10*15*0.3	3
53	Raw Cotton 96.9*60*20	1
54	Axle for Volute Spring	1
55	Screw M6*15	6
56	Nylon Lock Nut M8	7
57	Stainless Steel Axle 20*163*M8	1
58	Screw M8*15	4
59	Washer d8*16*1.5	1
60	Screw M8*15	14
61	Screw M3*20	12
62	Nylon Lock Nut M3	12
63	Screw M8*65	1
64	Screw M5*12	2
65	Stopper 20*20	1
66	plate for axle OD40*ID20*0.5	1
67	corss screw M6*10	2
68	Adjustable footpad 43*41*M8	2
69	Washer d8*24*1.5	1
70	Handlebar cover	2
71	Washer OD16*ID8*1.5	26
72	Screw ST4.2*16	2
73	Silicone Pad	1
74	Allen Wrench S5	1
75	Spanner S13-S15	1
76	Pumping Siphon	1

PARTS LIST

virtufit

#	DESCRIPTION	QTY.
77	Funnel	1
78	N/A	1
79	Spacer sleeve 32*8*15/PP	2
80	Screw M8*25	1
81	C Clip d10	6
82	Stainless Washer M3	24
83	Cross Screw M6*15	4
84	Sealing Ring	1
85	Spacer 25*20.2*10	1
86	Bolt M6*55*15*S10	3
87	Long Sealing Plate 747*333*120	1
88	Foot Pad 52*40*M10	1
89	Adjusting U Seat 30*9*1.5	2
90	Adjusting Screw M6*40*10*2.5	2
91	Screw M8*25*S6	1
92	outer plate for spring 112*0.5	1
93	Screw M4*8	8
94	Screw M5*12	8
95	Spacer 16*8*15/PP	2
96	N/A	
97	Protect cover	1
98	Impeller	1
99	Sensor wire	2
100	Screw M8*120,	2
101	Screw M8*60	1

virtufit

VIRTUFIT

Twekkelerweg 263
7553 LZ Hengelo
The Netherlands
info@virtufit.nl

VIRTUFIT SERVICE

Do you have a problem with your VirtuFit fitness equipment and would you like to submit a service request? Then scan the QR code on the right and fill in our service form.

