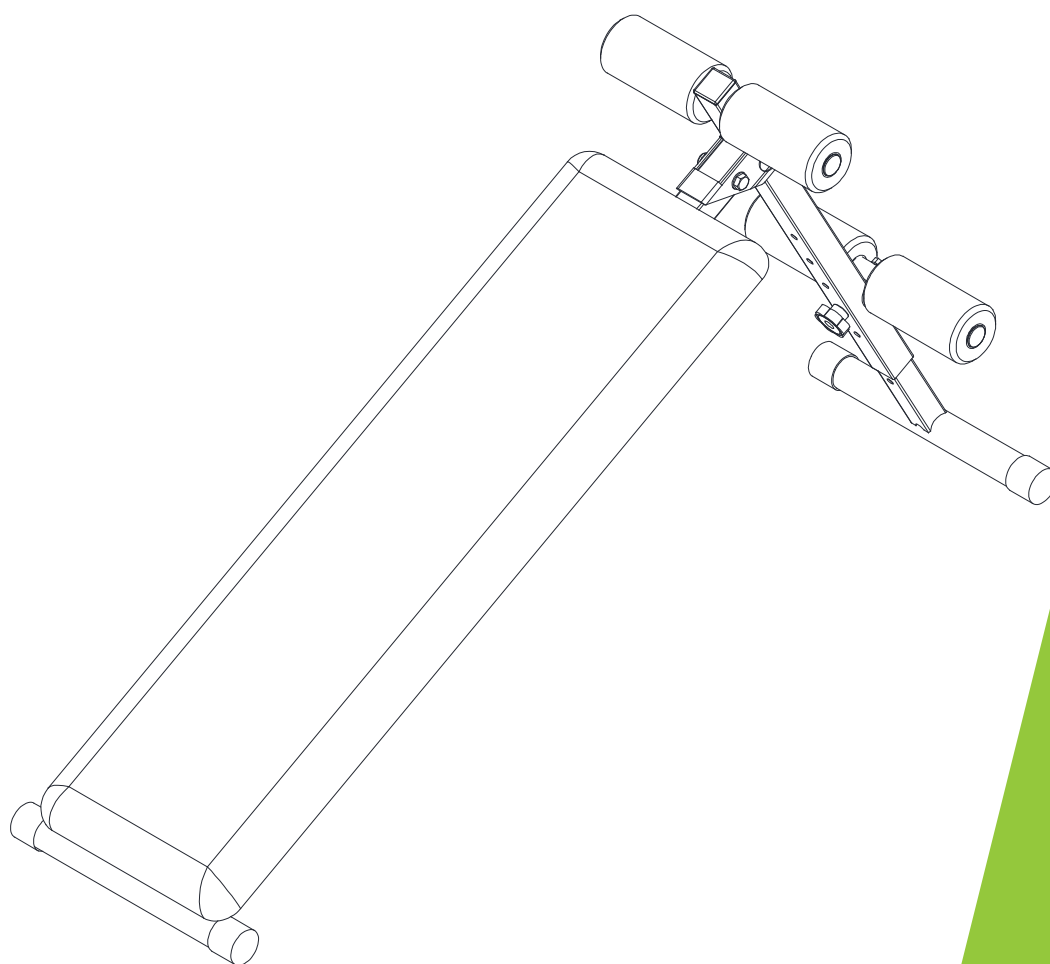


virtufit

Verstelbare Ab Bench

VF02058



ASSEMBLY
VIDEO



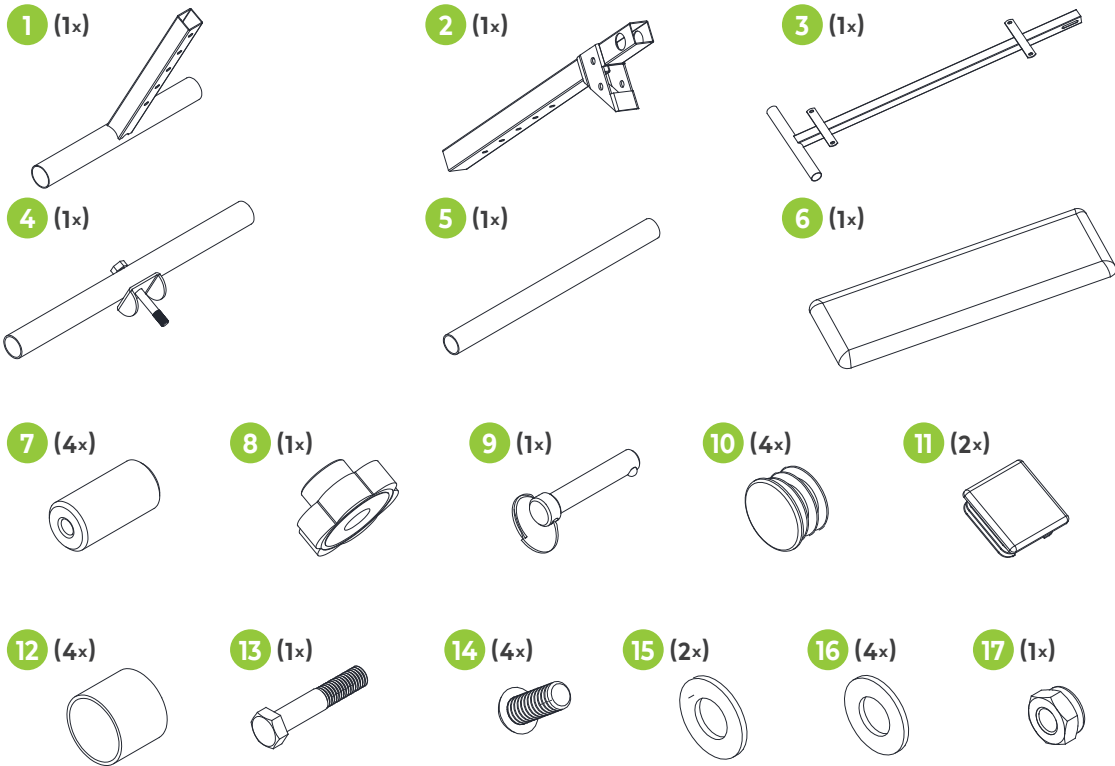
📍 @virtufit_fitness

▶ VirtuFit

🌐 www.virtufit.com

USER MANUAL

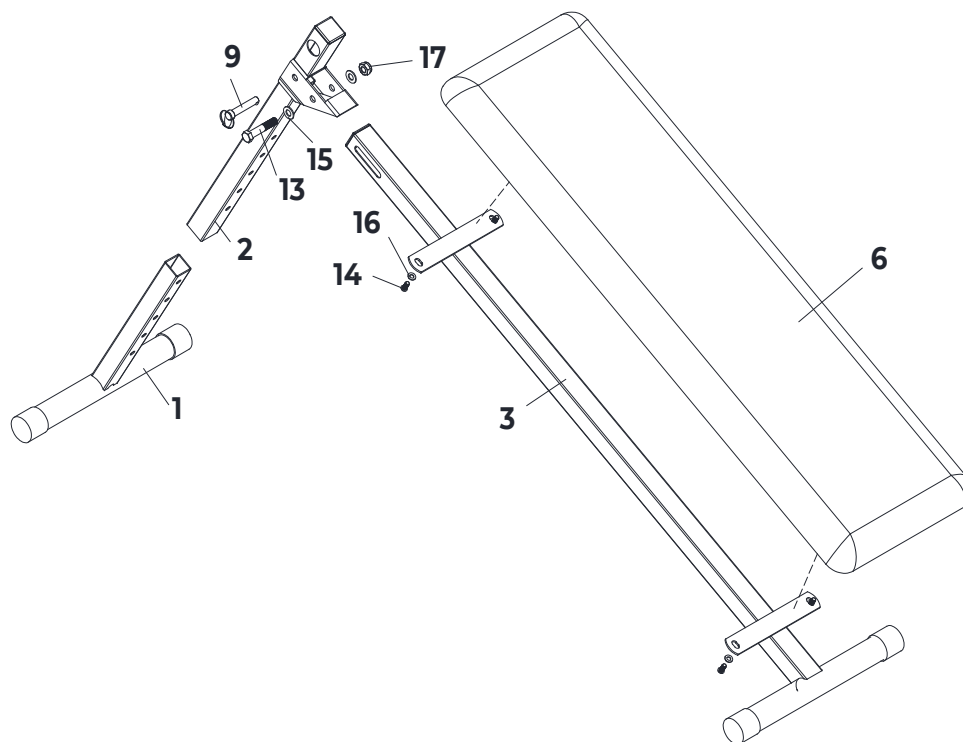
TOOLKIT



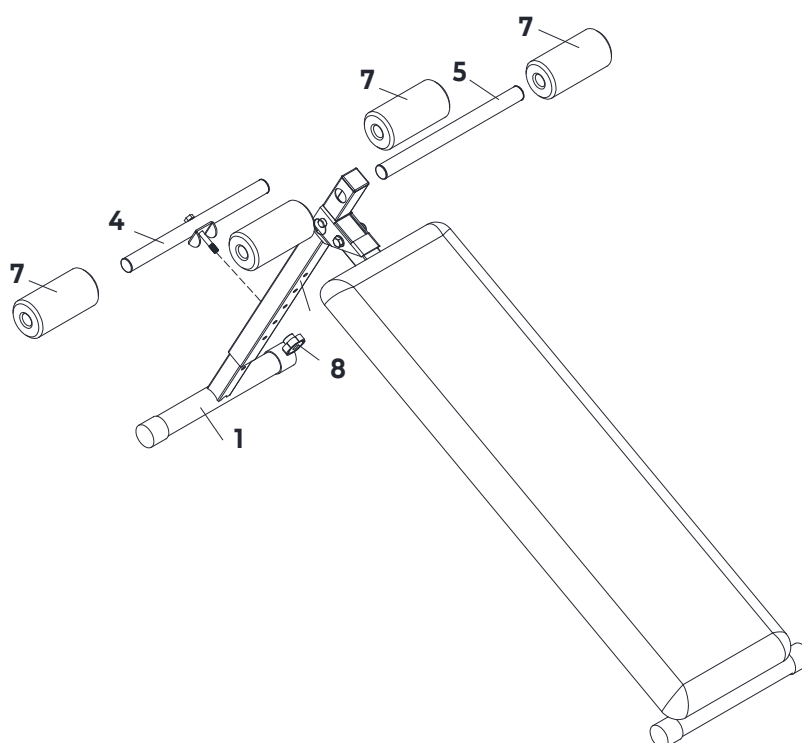
#	DESCRIPTION	QTY.
1	Front Incline Frame	1
2	Adjustive Frame	1
3	Seat Frame	1
4	Bottom Foam Tube	1
5	Top Foam Tube	1
6	Seat	1
7	Foam Roller	4
8	Knob	1
9	Quick Pin	1

#	DESCRIPTION	QTY.
10	Round Plug 19mm	4
11	Square Plug 35mm	2
12	Round End Cap 38mm	4
13	Hex Bolt M10*55mm	1
14	Bolt M6*15mm	4
15	Washer M10	2
16	Washer M6	4
17	Nylon Nut M10	1

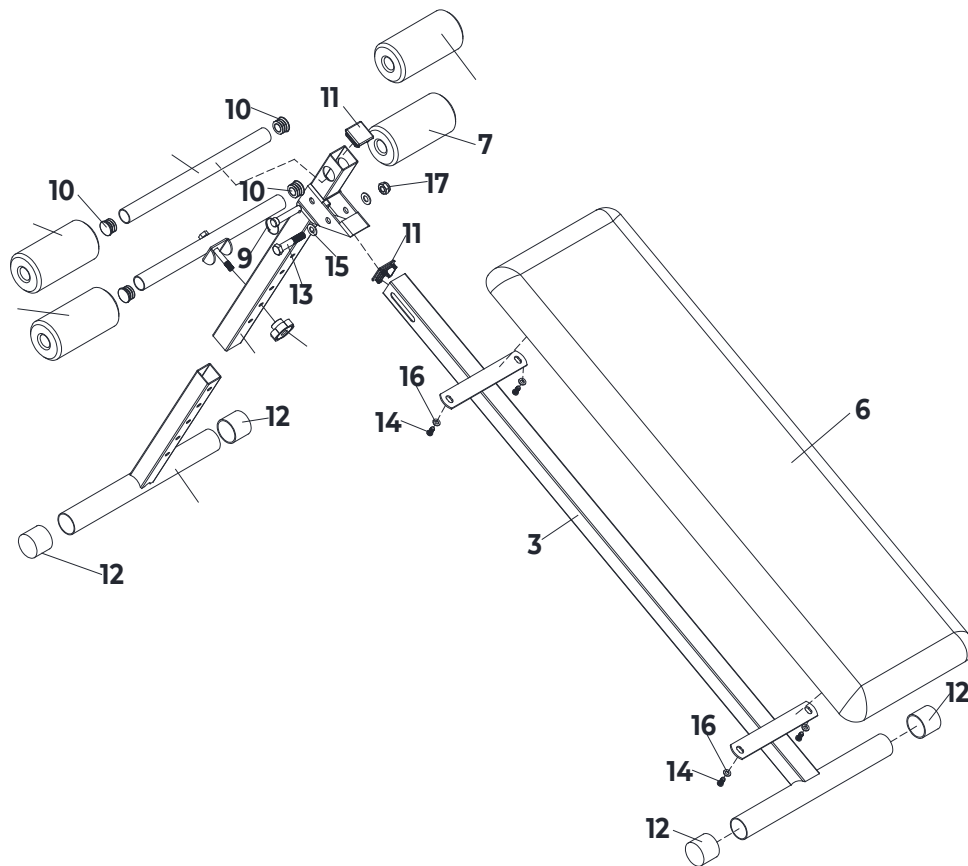
STEP 01



STEP 02



TECHNICAL DRAWING



COMPANY INFORMATION

For an ongoing service request or to purchase parts, please visit; service@virtufit.nl. Always state the service number (ITS number) with a question about the current application for a quick and efficient settlement. A service request must always be submitted via the service form. So the request not to request service via info@virtufit.nl.

Do you have a problem with your VirtuFit fitness equipment and would you like to submit a service request? Then scan the QR code on the right and fill in our service form.



VIRTUFIT

Twekkelerweg 263
7553 LZ Hengelo
The Netherlands
info@virtufit.nl